



BRAKE DISC PAINTED

09.7720.11

The 09.7720.11 painted brake disc is synonymous with reliability

The Brembo brake disc with special UV paint treatment guarantees superior corrosion resistance for the product, thanks to the protective coating on the outer edges and on the disc hub. The UV paint not only gives the disc a clean, shiny appearance but is also beneficial for the environment as the water-based UV paint treatment does not require the use of chemical solvents and is a low energy consumption process.

- ✓ OE-equivalent
- ✓ Brembo quality
- ✓ ECE-R90 certificate
- ✓ Safety
- ✓ Anti-corrosion

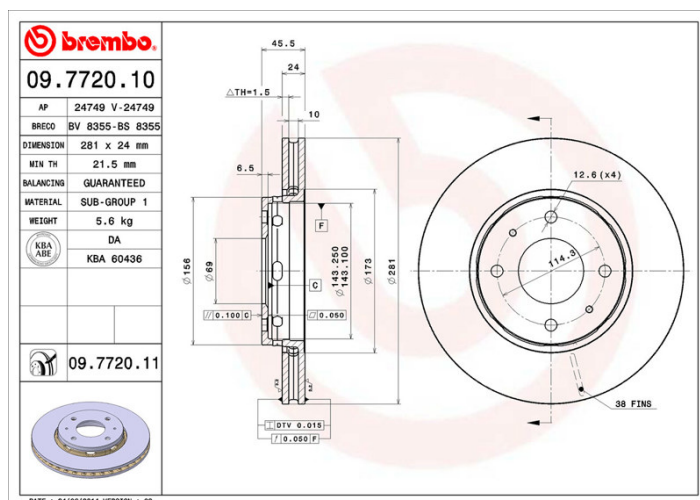


Technical specifications



EAN code 8020584014936	Axle Front	Diameter Ø 281 mm
Thickness (TH) 24 mm	Height (A) 46 mm	Number of holes (C) 4
Brake disc type Ventilated	Centering (B) 69 mm	Min. thickness 21,5 mm

Tightening torque
108 Nm



COMPATIBLE VEHICLES

COMPATIBLE OE PART NUMBERS

M818027	MITSUBISHI
----------------	------------

MB818027	MITSUBISHI
-----------------	------------

MR818027	MITSUBISHI
-----------------	------------

3081802	VOLVO
----------------	-------

30818027	VOLVO
-----------------	-------

308180270	VOLVO
------------------	-------

308180272	VOLVO
------------------	-------