



BRAKE DISC

08.B271.10

The **08.B271.10** brake disc is synonymous with reliability

The Brembo brake disc is fully interchangeable with an Original Equipment brake disc. The control of the entire production cycle allows Brembo to offer brake discs with outstanding performance levels, reliability, durability and comfort in all conditions of use. All Brembo brake discs are accompanied by the ECE-R90 homologation.

- ✓ OE-equivalent
- ✓ Brembo quality
- ✓ ECE-R90 certificate
- ✓ Safety
- ✓ Fastening screws



Technical specifications



EAN code
8020584036365

Axle
Rear

Diameter Ø
282 mm

Thickness (TH)
9 mm

Height (A)
49 mm

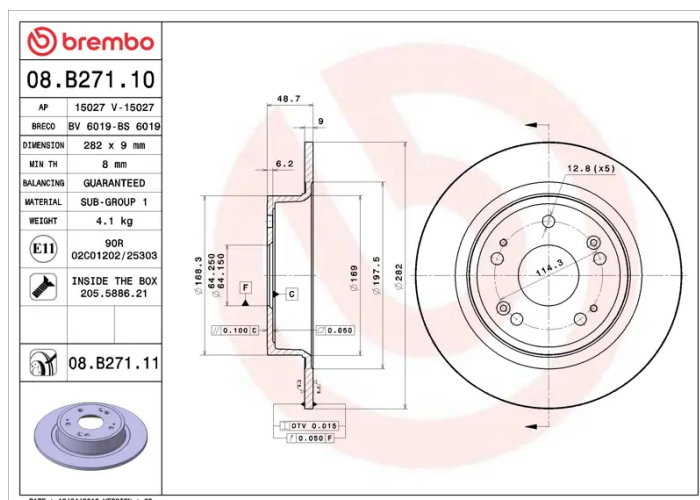
Number of holes (C)
5

Brake disc type
Solid

Centering (B)
64 mm

Min. thickness
8 mm

Tightening torque
108 Nm



COMPATIBLE OE PART NUMBERS

42510TA0A00	ACURA
42510TA0A01	ACURA
42510TA0A02	ACURA
42510T7JH00	ACURA (GAC)
42510SFY000	HONDA
42510T7JH00	HONDA
42510T8NT00	HONDA
42510TA0A00	HONDA
42510TA0A01	HONDA
42510TA0A02	HONDA
42510TC0T00	HONDA
42510T7JH00	HONDA (DONGFENG)
42510TP5H00	HONDA (DONGFENG)
42510T7JH00	HONDA (GAC)
42510TB0W00	HONDA (GAC)
42510TA0A01	PROTON