



BRAKE DISC PAINTED

08.N267.11

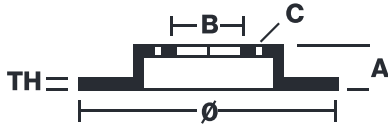
The 08.N267.11 painted brake disc is synonymous with reliability

The Brembo brake disc with special UV paint treatment guarantees superior corrosion resistance for the product, thanks to the protective coating on the outer edges and on the disc hub. The UV paint not only gives the disc a clean, shiny appearance but is also beneficial for the environment as the water-based UV paint treatment does not require the use of chemical solvents and is a low energy consumption process.

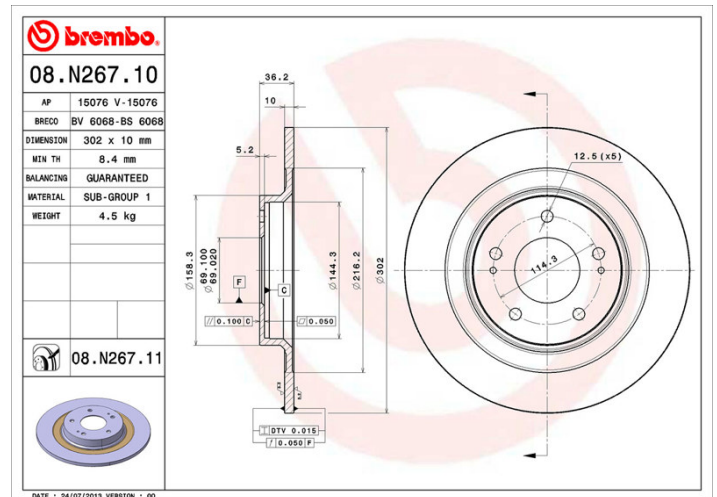


- ✓ OE-equivalent
- ✓ Brembo quality
- ✓ ECE-R90 certificate
- ✓ Safety
- ✓ Anti-corrosion

Technical specifications



EAN code	Axle	Diameter Ø
8020584233153	Rear	302 mm
Thickness (TH)	Height (A)	Number of holes (C)
10 mm	36 mm	5
Brake disc type	Centering (B)	Min. thickness
Solid	69 mm	8,4 mm



COMPATIBLE VEHICLES

COMPATIBLE OE PART NUMBERS

1609901080	CITROËN
4615A125	MITSUBISHI
4615A142	MITSUBISHI
4615A168	MITSUBISHI
4615A155	MITSUBISHI (GAC)
1609901080	PEUGEOT