



BRAKE DISC PAINTED

09.5390.31

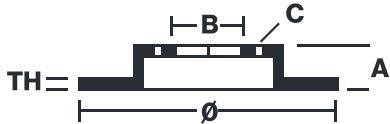
The 09.5390.31 painted brake disc is synonymous with reliability

The Brembo brake disc with special UV paint treatment guarantees superior corrosion resistance for the product, thanks to the protective coating on the outer edges and on the disc hub. The UV paint not only gives the disc a clean, shiny appearance but is also beneficial for the environment as the water-based UV paint treatment does not require the use of chemical solvents and is a low energy consumption process.



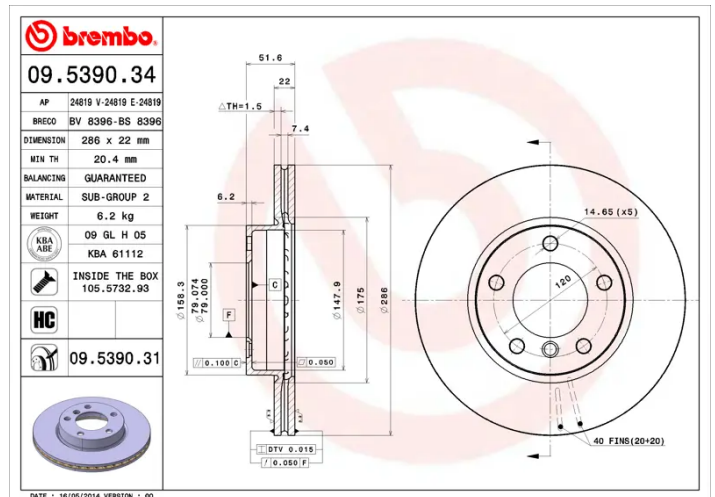
- ✓ OE-equivalent
- ✓ Brembo quality
- ✓ ECE-R90 certificate
- ✓ Safety
- ✓ High carbon
- ✓ Anti-corrosion
- ✓ Fastening screws

Technical specifications



EAN code 8020584018163	Axle Front	Diameter Ø 286 mm
Thickness (TH) 22 mm	Height (A) 52 mm	Number of holes (C) 5
Brake disc type Ventilated	Centering (B) 79 mm	Min. thickness 20,4 mm

Tightening torque
120 Nm



COMPATIBLE VEHICLES

COMPATIBLE OE PART NUMBERS

34111160674	BMW
34111160981	BMW
34111162282	BMW
34111162288	BMW
34111164199	BMW
34111164431	BMW
34111164921	BMW
34111165455	BMW
34116766239	BMW
34116794301	BMW
34116855153	BMW
34116864060	BMW
34111160674	BMW (BRILLIANCE)
34111162282	BMW (BRILLIANCE)
34111162288	BMW (BRILLIANCE)
34111164199	BMW (BRILLIANCE)
34111164921	BMW (BRILLIANCE)
34111165455	BMW (BRILLIANCE)
34116855153	BMW (BRILLIANCE)
34116864060	BMW (BRILLIANCE)
34111162282	DE LA CHAPELLE