



BRAKE DISC

09.6866.20

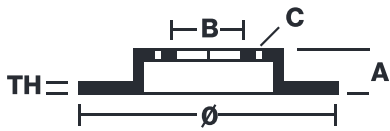
The 09.6866.20 brake disc is synonymous with reliability

The Brembo brake disc is fully interchangeable with an Original Equipment brake disc. The control of the entire production cycle allows Brembo to offer brake discs with outstanding performance levels, reliability, durability and comfort in all conditions of use. All Brembo brake discs are accompanied by the ECE-R90 homologation.

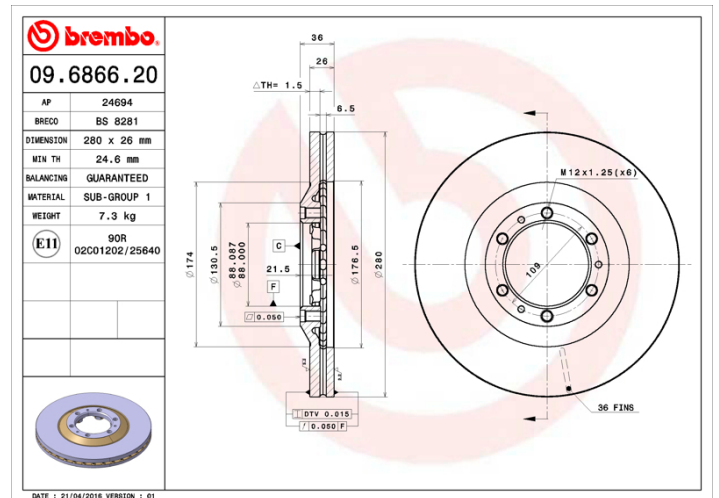
- ✓ OE-equivalent
- ✓ Brembo quality
- ✓ ECE-R90 certificate
- ✓ Safety



Technical specifications



EAN code 8020584686621	Axle Front	Diameter Ø 280 mm
Thickness (TH) 26 mm	Height (A) 36 mm	Number of holes (C) 6
Brake disc type Ventilated	Centering (B) 88 mm	Min. thickness 24,6 mm
Tightening torque 118 Nm		



COMPATIBLE VEHICLES

COMPATIBLE OE PART NUMBERS

8943754163 ISUZU

8943754164 ISUZU

8943755333 ISUZU

8943755334 ISUZU

8970340343 ISUZU

8970963950 ISUZU

8972077010 ISUZU

569050 OPEL

94375416 OPEL

94375533 OPEL

94375553 OPEL

97034034 OPEL

94375416 VAUXHALL

94375533 VAUXHALL

94375553 VAUXHALL

97034034 VAUXHALL
