



BRAKE DISC PAINTED

09.7629.11

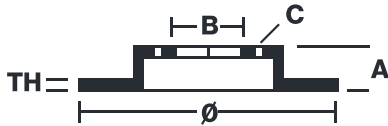
The 09.7629.11 painted brake disc is synonymous with reliability

The Brembo brake disc with special UV paint treatment guarantees superior corrosion resistance for the product, thanks to the protective coating on the outer edges and on the disc hub. The UV paint not only gives the disc a clean, shiny appearance but is also beneficial for the environment as the water-based UV paint treatment does not require the use of chemical solvents and is a low energy consumption process.

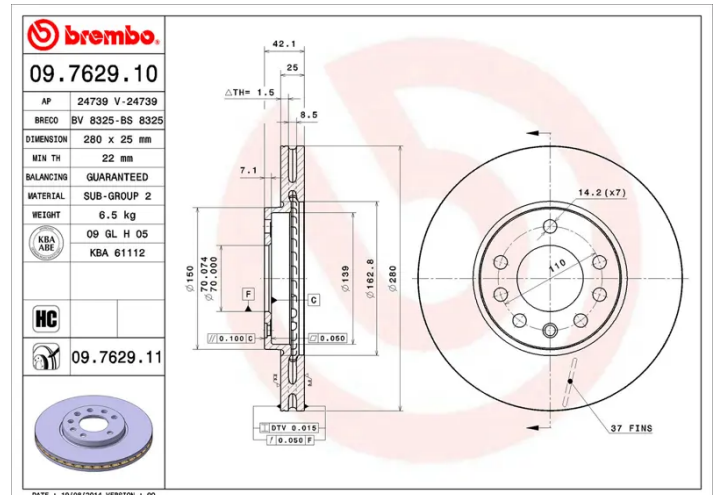
- ✓ OE-equivalent
- ✓ Brembo quality
- ✓ ECE-R90 certificate
- ✓ Safety
- ✓ High carbon
- ✓ Anti-corrosion



Technical specifications



EAN code 8020584022931	Axle Front	Diameter Ø 280 mm
Thickness (TH) 25 mm	Height (A) 42 mm	Number of holes (C) 5
Brake disc type Ventilated	Centering (B) 70 mm	Min. thickness 22 mm
Tightening torque 110 Nm		



COMPATIBLE VEHICLES

COMPATIBLE OE PART NUMBERS

90539466 CHEVROLET

9117678 CHEVROLET

93197592 CHEVROLET

569060 OPEL

569066 OPEL

90539466 OPEL

9117678 OPEL

93197592 OPEL

95526655 OPEL

90539466 VAUXHALL

9117678 VAUXHALL

93197592 VAUXHALL

95526655 VAUXHALL
