



# BRAKE DISC PAINTED 09.9077.11

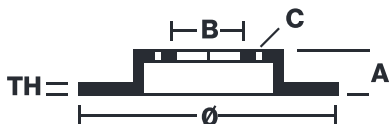
The 09.9077.11 painted brake disc is synonymous with reliability

The Brembo brake disc with special UV paint treatment guarantees superior corrosion resistance for the product, thanks to the protective coating on the outer edges and on the disc hub. The UV paint not only gives the disc a clean, shiny appearance but is also beneficial for the environment as the water-based UV paint treatment does not require the use of chemical solvents and is a low energy consumption process.

- ✓ OE-equivalent
- ✓ Brembo quality
- ✓ ECE-R90 certificate
- ✓ Safety
- ✓ Anti-corrosion



## Technical specifications



EAN code  
8020584030561

Axle  
Front

Diameter Ø  
293 mm

Thickness (TH)  
24 mm

Height (A)  
57 mm

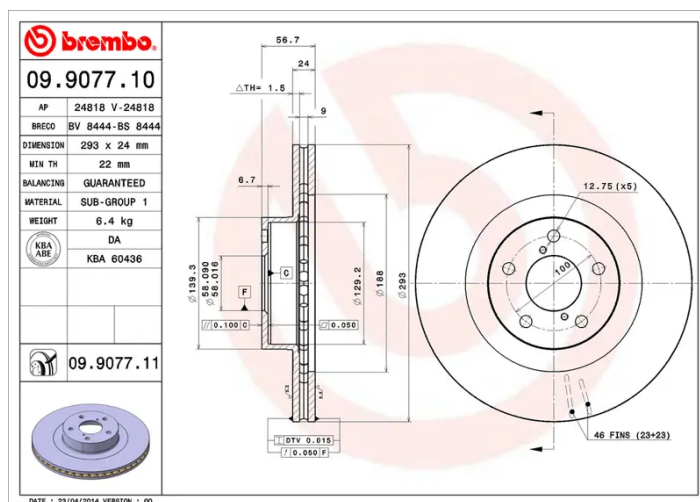
Number of holes (C)  
5

Brake disc type  
Ventilated

Centering (B)  
58 mm

Min. thickness  
22 mm

Tightening torque  
100 Nm



COMPATIBLE VEHICLES

## COMPATIBLE OE PART NUMBERS

26300AE02A SUBARU

---

26300AE02B SUBARU

---

26300AE02C SUBARU

---

26300AE060 SUBARU

---

26300AE061 SUBARU

---

26300FE010 SUBARU

---

26300FE011 SUBARU

---

26310AC040 SUBARU

---

26310AC041 SUBARU

---

32006171 SUBARU

---