



# BRAKE DISC

## 09.9369.10

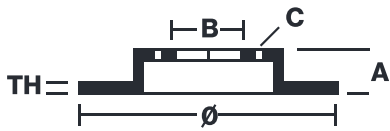
The **09.9369.10** brake disc is synonymous with reliability

The Brembo brake disc is fully interchangeable with an Original Equipment brake disc. The control of the entire production cycle allows Brembo to offer brake discs with outstanding performance levels, reliability, durability and comfort in all conditions of use. All Brembo brake discs are accompanied by the ECE-R90 homologation.

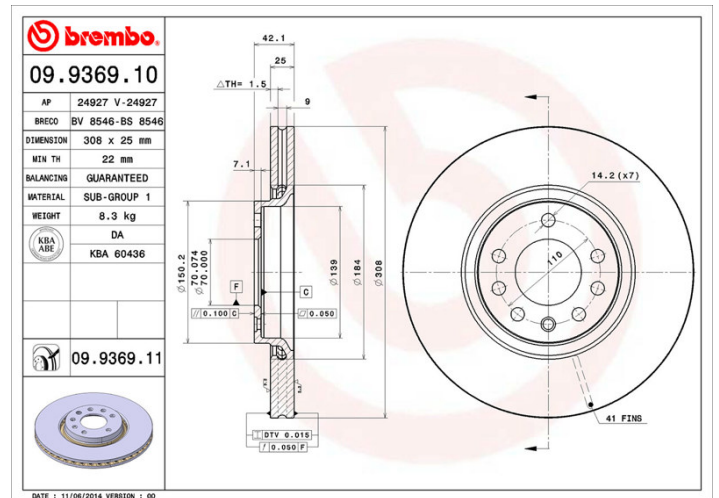
- ✓ OE-equivalent
- ✓ Brembo quality
- ✓ ECE-R90 certificate
- ✓ Safety



### Technical specifications



EAN code <b>8020584936917</b>	Axle <b>Front</b>	Diameter Ø <b>308</b> mm
Thickness (TH) <b>25</b> mm	Height (A) <b>42</b> mm	Number of holes (C) <b>5</b>
Brake disc type <b>Ventilated</b>	Centering (B) <b>70</b> mm	Min. thickness <b>22</b> mm
Tightening torque <b>110</b> Nm		



**COMPATIBLE VEHICLES**

## COMPATIBLE OE PART NUMBERS

5391560	BAIC
569061	OPEL
9194477	OPEL
95526651	OPEL
4567798	SAAB
5055389	SAAB
5084769	SAAB
5122833	SAAB
5391560	SAAB
9184405	SAAB
9194477	SAAB
9184405	VAUXHALL
9194477	VAUXHALL
95526651	VAUXHALL