



# BRAKE DISC PAINTED

## 09.9369.11

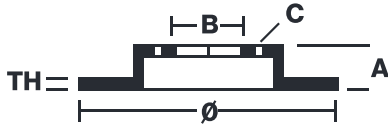
The 09.9369.11 painted brake disc is synonymous with reliability

The Brembo brake disc with special UV paint treatment guarantees superior corrosion resistance for the product, thanks to the protective coating on the outer edges and on the disc hub. The UV paint not only gives the disc a clean, shiny appearance but is also beneficial for the environment as the water-based UV paint treatment does not require the use of chemical solvents and is a low energy consumption process.

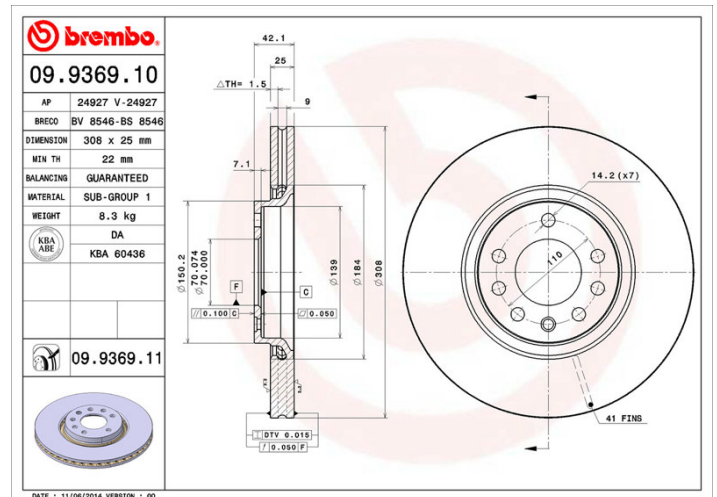
- ✓ OE-equivalent
- ✓ Brembo quality
- ✓ ECE-R90 certificate
- ✓ Safety
- ✓ Anti-corrosion



### Technical specifications



EAN code <b>8020584015766</b>	Axle <b>Front</b>	Diameter Ø <b>308 mm</b>
Thickness (TH) <b>25 mm</b>	Height (A) <b>42 mm</b>	Number of holes (C) <b>5</b>
Brake disc type <b>Ventilated</b>	Centering (B) <b>70 mm</b>	Min. thickness <b>22 mm</b>
Tightening torque <b>110 Nm</b>		



**COMPATIBLE VEHICLES**

## COMPATIBLE OE PART NUMBERS

5391560	BAIC
---------	------

569061	OPEL
--------	------

9194477	OPEL
---------	------

95526651	OPEL
----------	------

4567798	SAAB
---------	------

5055389	SAAB
---------	------

5084769	SAAB
---------	------

5122833	SAAB
---------	------

5391560	SAAB
---------	------

9184405	SAAB
---------	------

9194477	SAAB
---------	------

9184405	VAUXHALL
---------	----------

9194477	VAUXHALL
---------	----------

95526651	VAUXHALL
----------	----------