



BRAKE DISC

09.A222.10

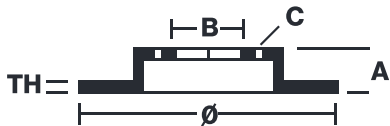
The **09.A222.10** brake disc is synonymous with reliability

The Brembo brake disc is fully interchangeable with an Original Equipment brake disc. The control of the entire production cycle allows Brembo to offer brake discs with outstanding performance levels, reliability, durability and comfort in all conditions of use. All Brembo brake discs are accompanied by the ECE-R90 homologation.

- ✓ OE-equivalent
- ✓ Brembo quality
- ✓ ECE-R90 certificate
- ✓ Safety
- ✓ High carbon
- ✓ PVT ventilation

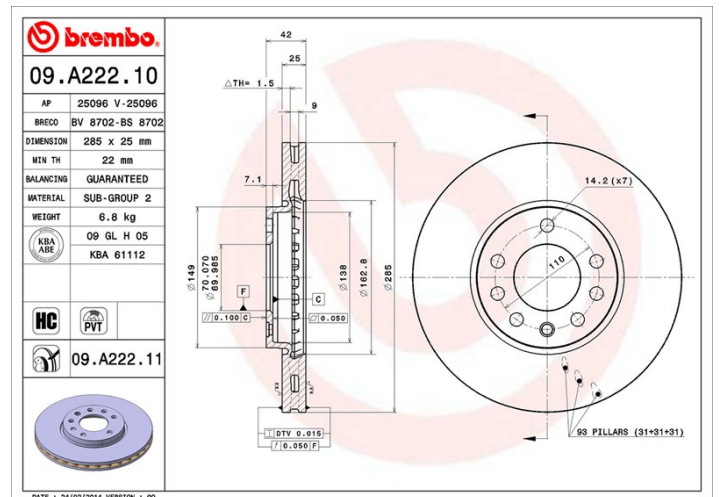


Technical specifications



EAN code 8020584016831	Axle Front	Diameter Ø 285 mm
Thickness (TH) 25 mm	Height (A) 42 mm	Number of holes (C) 5
Brake disc type Ventilated	Centering (B) 70 mm	Min. thickness 22 mm

Tightening torque
120 Nm



COMPATIBLE VEHICLES

COMPATIBLE OE PART NUMBERS

46836491 FIAT

46844071 FIAT

51819711 FIAT

51819733 FIAT

71772553 FIAT
