



BRAKE DISC PAINTED

09.B970.11

The 09.B970.11 painted brake disc is synonymous with reliability

The Brembo brake disc with special UV paint treatment guarantees superior corrosion resistance for the product, thanks to the protective coating on the outer edges and on the disc hub. The UV paint not only gives the disc a clean, shiny appearance but is also beneficial for the environment as the water-based UV paint treatment does not require the use of chemical solvents and is a low energy consumption process.

- ✓ OE-equivalent
- ✓ Brembo quality
- ✓ ECE-R90 certificate
- ✓ Safety
- ✓ High carbon
- ✓ Anti-corrosion
- ✓ PVT ventilation
- ✓ Fastening screws



Technical specifications



EAN code
8020584218389

Axle
Front

Diameter Ø
345 mm

Thickness (TH)
30 mm

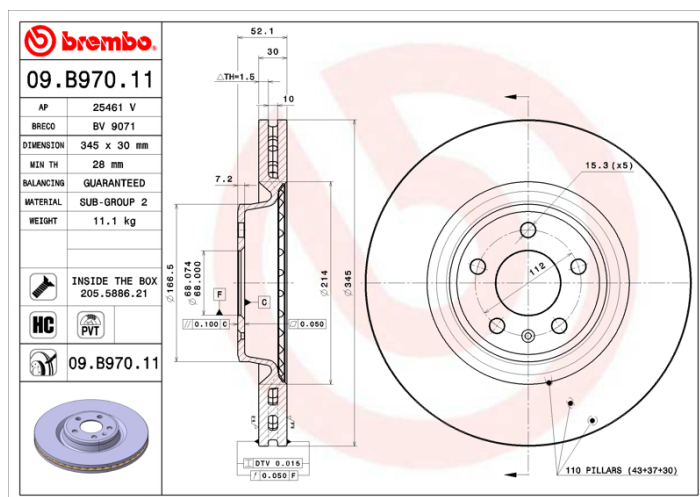
Height (A)
52 mm

Number of holes (C)
5

Brake disc type
Ventilated

Centering (B)
68 mm

Min. thickness
28 mm



COMPATIBLE OE PART NUMBERS

4G0615301	AUDI
-----------	------

4G0615301AE	AUDI
-------------	------

4G0615301AF	AUDI
-------------	------

4G0615301G	AUDI
------------	------

4G0615301M	AUDI
------------	------

4G0615301Q	AUDI
------------	------

4G0698996	AUDI
-----------	------

4G0615301	AUDI (FAW)
-----------	------------

4G0615301AE	AUDI (FAW)
-------------	------------

4G0615301M	AUDI (FAW)
------------	------------

95B615301B	PORSCHE
------------	---------

95B615301M	PORSCHE
------------	---------