



# BRAKE DISC XTRA

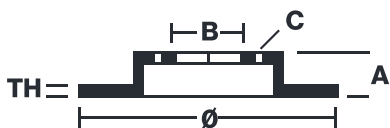
## 09.C351.1X

The 09.C351.1X Xtra brake disc is synonymous with reliability

The Brembo Xtra brake disc features holes on the braking surface. The holes are designed to improve the cooling of the braking system, to generate greater fading resistance and grip in the initial stages of braking. The sports look is also enhanced by the presence of the UV paint.

- ✓ Brembo quality
- ✓ ECE-R90 certificate
- ✓ Performance
- ✓ Sports driving
- ✓ Sporty look
- ✓ High carbon
- ✓ Anti-corrosion
- ✓ Fastening screws

### Technical specifications



EAN code  
8020584325520

Axle  
Front

Diameter Ø  
330 mm

Thickness (TH)  
24 mm

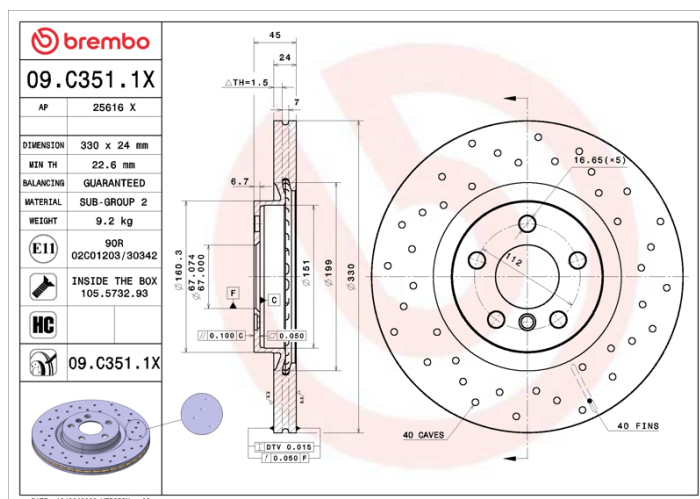
Height (A)  
45 mm

Number of holes (C)  
5

Brake disc type  
Ventilated

Centering (B)  
151 mm

Min. thickness  
22,6 mm



**COMPATIBLE VEHICLES**

## COMPATIBLE OE PART NUMBERS

|             |                  |
|-------------|------------------|
| 34106888686 | BMW              |
| 34106891080 | BMW              |
| 34116860961 | BMW              |
| 34116865713 | BMW              |
| 34116860961 | BMW (BRILLIANCE) |
| 34116860961 | MINI             |
| 34116865713 | MINI             |