



BRAKE DISC PAINTED

09.C882.11

The 09.C882.11 painted brake disc is synonymous with reliability

The Brembo brake disc with special UV paint treatment guarantees superior corrosion resistance for the product, thanks to the protective coating on the outer edges and on the disc hub. The UV paint not only gives the disc a clean, shiny appearance but is also beneficial for the environment as the water-based UV paint treatment does not require the use of chemical solvents and is a low energy consumption process.

- ✓ OE-equivalent
- ✓ Brembo quality
- ✓ ECE-R90 certificate
- ✓ Safety
- ✓ High carbon
- ✓ Anti-corrosion
- ✓ PVT ventilation



Technical specifications



EAN code
8020584225288

Axle
Front

Diameter Ø
350 mm

Thickness (TH)
34 mm

Height (A)
69 mm

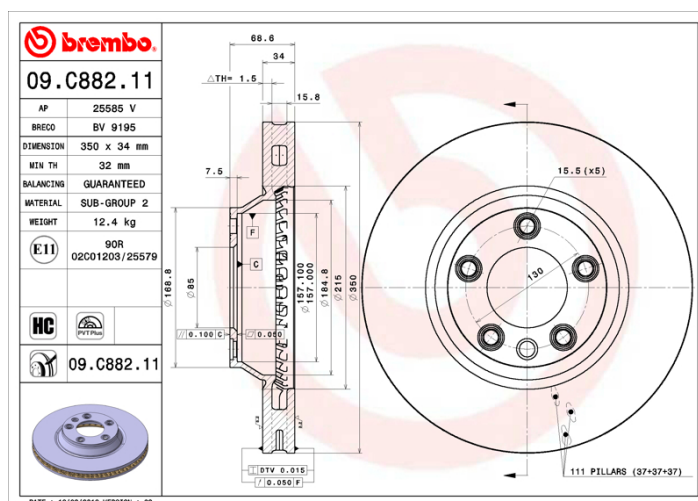
Number of holes (C)
5

Brake disc type
Ventilated

Centering (B)
85 mm

Min. thickness
32 mm

Tightening torque
160 Nm



COMPATIBLE VEHICLES

COMPATIBLE OE PART NUMBERS

7L6615301K	AUDI
------------	------

7L6615302K	AUDI
------------	------

7L8615301	AUDI
-----------	------

7L8615302	AUDI
-----------	------

95535140110	PORSCHE
-------------	---------

95535140150	PORSCHE
-------------	---------

95535140151	PORSCHE
-------------	---------

95535140210	PORSCHE
-------------	---------

95535140250	PORSCHE
-------------	---------

95535140251	PORSCHE
-------------	---------

7L5615301E	VW
------------	----

7L6615301E	VW
------------	----

7L6615301K	VW
------------	----

7L6615302E	VW
------------	----

7L6615302K	VW
------------	----

7L8315302	VW
-----------	----

7L8615301	VW
-----------	----

7L8615302	VW
-----------	----