



BRAKE DISC PAINTED

09.D096.13

Composite brake disc 09.D096.13 belongs to Brembo Premium Line

The Composite brake disc is dedicated to the highest-performance BMW applications and is perfectly interchangeable with the original disc. It has an aluminium hat connected to the special cast iron braking surface by steel pins. This solution makes the disc lighter for improved handling of the car.

- ✓ OE-equivalent
- ✓ Brembo quality
- ✓ ECE-R90 certificate
- ✓ Weight reduction
- ✓ High carbon
- ✓ Bi-Material Brake Disc
- ✓ Anti-corrosion
- ✓ Fastening screws
- ✓ Fading resistance



Technical specifications



EAN code
8020584224441

Axle
Rear

Diameter Ø
345 mm

Thickness (TH)
24 mm

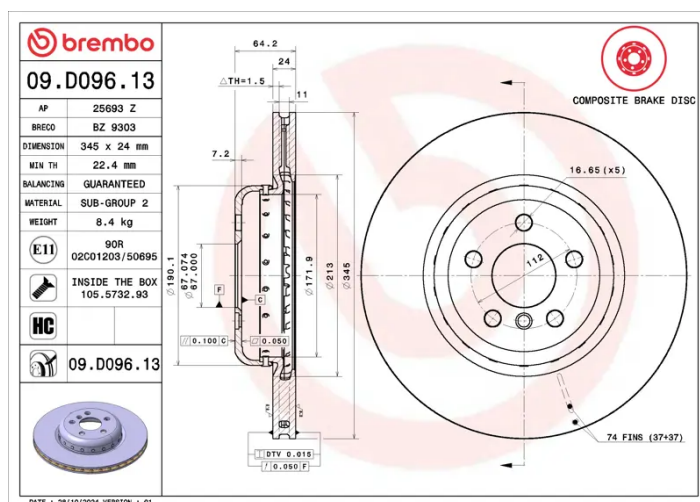
Height (A)
64 mm

Number of holes (C)
5

Brake disc type
Ventilated

Centering (B)
67 mm

Min. thickness
22,4 mm



COMPATIBLE OE PART NUMBERS

34206880079	BMW
34208831484	BMW
34208853554	BMW
34216860925	BMW
34216860925	BMW (BRILLIANCE)
42431WAA01	TOYOTA