



BRAKE DISC PAINTED

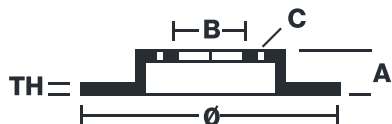
09.D276.11

The 09.D276.11 painted brake disc is synonymous with reliability

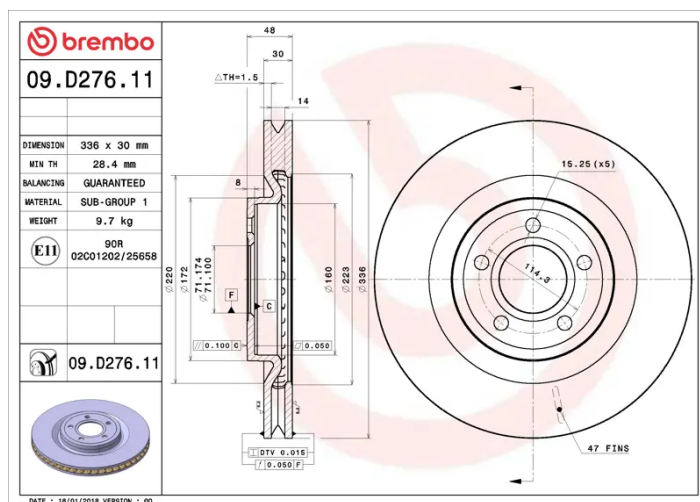
The Brembo brake disc with special UV paint treatment guarantees superior corrosion resistance for the product, thanks to the protective coating on the outer edges and on the disc hub. The UV paint not only gives the disc a clean, shiny appearance but is also beneficial for the environment as the water-based UV paint treatment does not require the use of chemical solvents and is a low energy consumption process.

- ✓ OE-equivalent
- ✓ Brembo quality
- ✓ ECE-R90 certificate
- ✓ Safety
- ✓ Anti-corrosion

Technical specifications



EAN code	Axle	Diameter Ø
8020584228784	Front	336 mm
Thickness (TH)	Height (A)	Number of holes (C)
30 mm	48 mm	5
Brake disc type	Centering (B)	Min. thickness
Ventilated	71 mm	28,4 mm



COMPATIBLE VEHICLES

COMPATIBLE OE PART NUMBERS

BR3Z1125A	FORD ASIA & OCEANIA
------------------	---------------------

CR3Z1125B	FORD ASIA & OCEANIA
------------------	---------------------

CR3Z1125C	FORD ASIA & OCEANIA
------------------	---------------------

DR3Z1125B	FORD ASIA & OCEANIA
------------------	---------------------

BR3Z1125A	FORD USA
------------------	----------

CR3Z1125B	FORD USA
------------------	----------

CR3Z1125C	FORD USA
------------------	----------

DR3Z1125B	FORD USA
------------------	----------