



# BRAKE DISC PAINTED

## 09.D551.23

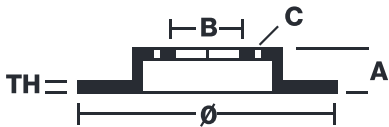
LightWeight brake disc 09.D551.23 belongs to Brembo Premium Line

The LightWeight brake disc solution is characterised by a high-carbon cast iron braking surface connected by pressure to the steel hat. It is up to 15% lighter than an equivalent integral disc. As a result, it significantly improves the road behaviour of the vehicle and reduces fuel consumption and emissions as well.



- ✓ OE-equivalent
- ✓ Brembo quality
- ✓ ECE-R90 certificate
- ✓ Weight reduction
- ✓ High carbon
- ✓ Bi-Material Brake Disc
- ✓ Anti-corrosion
- ✓ Fading resistance

### Technical specifications



EAN code  
8020584316030

Axle  
Rear

Diameter Ø  
325 mm

Thickness (TH)  
25 mm

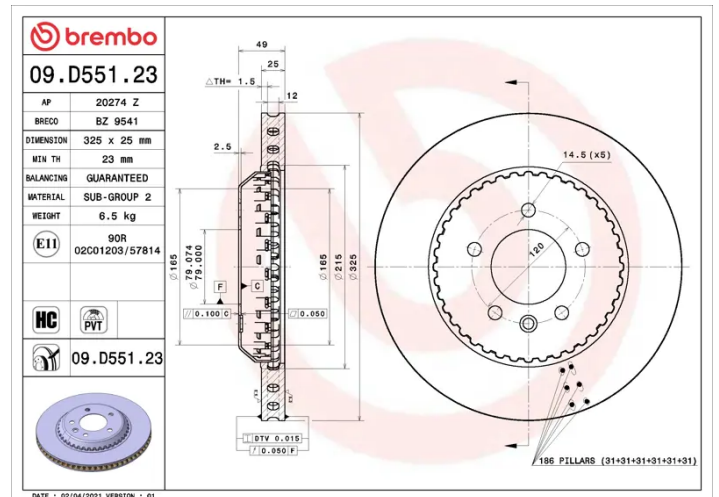
Height (A)  
49 mm

Number of holes (C)  
5

Brake disc type  
Ventilated

Centering (B)  
79 mm

Min. thickness  
23 mm



COMPATIBLE VEHICLES

## COMPATIBLE OE PART NUMBERS

LR132810 LAND ROVER

---

LR161901 LAND ROVER

---

LR187241 LAND ROVER

---