



BRAKE DISC PAINTED

09.E567.11

The 09.E567.11 painted brake disc is synonymous with reliability

The Brembo brake disc with special UV paint treatment guarantees superior corrosion resistance for the product, thanks to the protective coating on the outer edges and on the disc hub. The UV paint not only gives the disc a clean, shiny appearance but is also beneficial for the environment as the water-based UV paint treatment does not require the use of chemical solvents and is a low energy consumption process.

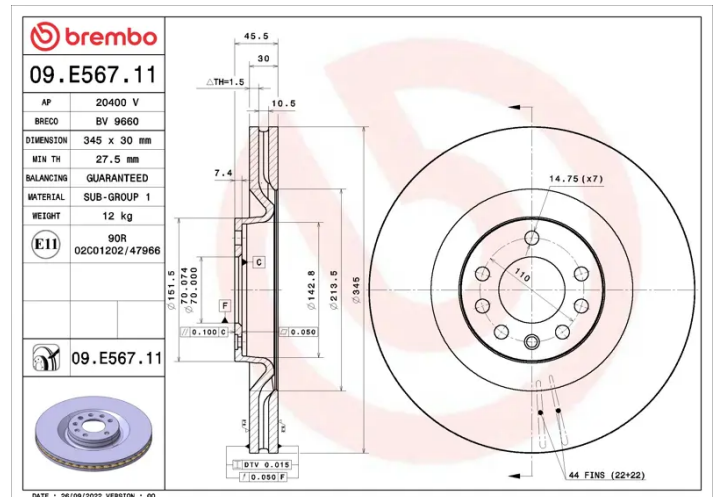
- ✓ OE-equivalent
- ✓ Brembo quality
- ✓ ECE-R90 certificate
- ✓ Safety
- ✓ Anti-corrosion



Technical specifications



EAN code	Axle	Diameter Ø
8020584321508	Front	345 mm
Thickness (TH)	Height (A)	Number of holes (C)
30 mm	45,5 mm	7
Brake disc type	Centering (B)	Min. thickness
Ventilated	70 mm	27,5 mm



COMPATIBLE OE PART NUMBERS

93188445	CADILLAC
----------	----------

569154	OPEL
--------	------

93188445	OPEL
----------	------

32019589	SAAB
----------	------

93188445	SAAB
----------	------

93188445	VAUXHALL
----------	----------