

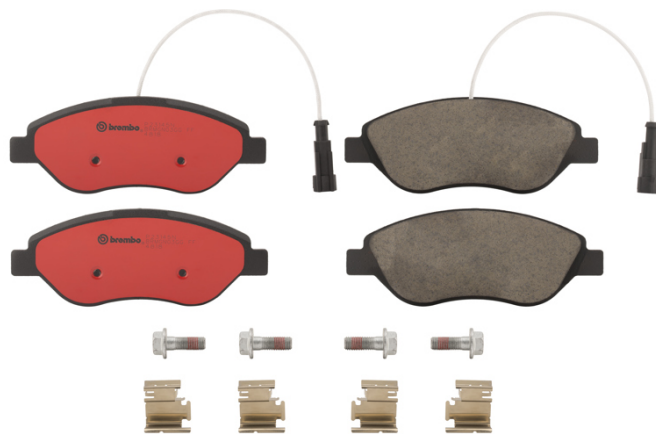


BRAKE PAD NAO P23145N

The P23145N NAO brake pad is synonymous with reliability

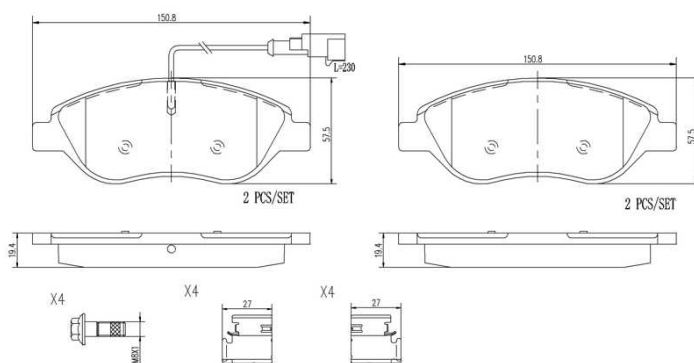
Brembo NAO brake pads stand out for their ultimate braking comfort, reduced friction wear and low dust mission, which makes for cleaner rims and reduced maintenance requirements. The advanced friction material in keeping with the strictest environmental standards is the main distinguishing feature of NAO compounds.

- ✓ OE-equivalent
- ✓ Brembo quality
- ✓ Safety
- ✓ Comfort
- ✓ Durability
- ✓ Dust reduction
- ✓ With accessories



Technical specifications

EAN code 8020584088326	Axle Front	Thickness 19 mm
Width 151 mm	Height 58 mm	Braking system Bosch
Wear indicator Electric	WVA number 23711,23713	Accessories With brake caliper bolts With accessories With anti-squeal shim



COMPATIBLE VEHICLES

COMPATIBLE OE PART NUMBERS

77362196	ALFA ROMEO
----------	------------

77365188	ALFA ROMEO
----------	------------

77365808	ALFA ROMEO
----------	------------

71770002	FIAT
----------	------

71770112	FIAT
----------	------

77362093	FIAT
----------	------

77362196	FIAT
----------	------

77364589	FIAT
----------	------

77365188	FIAT
----------	------

77365808	FIAT
----------	------

9949279	FIAT
---------	------

77362196	LANCIA
----------	--------

77365808	LANCIA
----------	--------