

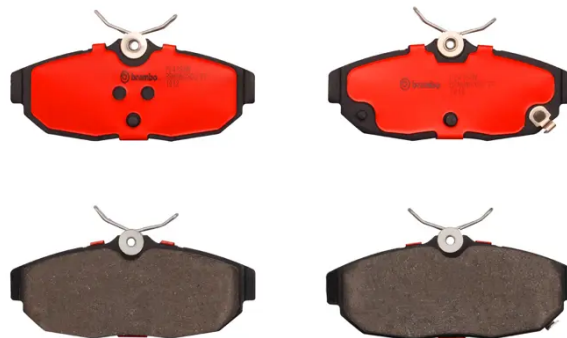


# BRAKE PAD PRIME CERAMIC P24184N

The P24184N NAO brake pad is synonymous with reliability

Brembo NAO brake pads stand out for their ultimate braking comfort, reduced friction wear and low dust mission, which makes for cleaner rims and reduced maintenance requirements. The advanced friction material in keeping with the strictest environmental standards is the main distinguishing feature of NAO compounds.

- ✓ OE-equivalent
- ✓ Brembo quality
- ✓ Safety
- ✓ Comfort
- ✓ Durability
- ✓ Dust reduction
- ✓ With accessories

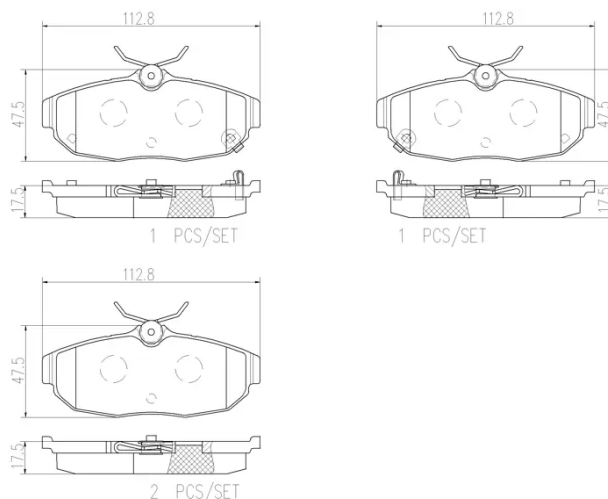


## Technical specifications

EAN code                      Axle                              Thickness  
**8020584082379**            **Rear**                              **18 mm**

Width                              Height  
**113 mm**                              **48 mm**

Wear indicator                Accessories  
**Acoustic**                              **With anti-squeal shim**



**COMPATIBLE VEHICLES**

## COMPATIBLE OE PART NUMBERS

CR3Z2200A	FORD USA
CR3Z2200B	FORD USA