



BRAKE PAD PRIME CERAMIC P50074N

The P50074N NAO brake pad is synonymous with reliability

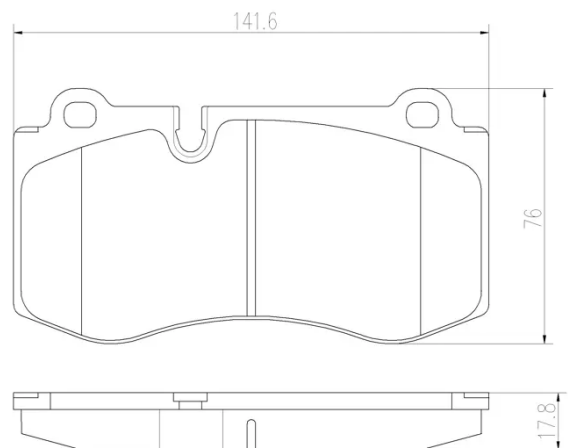
Brembo NAO brake pads stand out for their ultimate braking comfort, reduced friction wear and low dust mission, which makes for cleaner rims and reduced maintenance requirements. The advanced friction material in keeping with the strictest environmental standards is the main distinguishing feature of NAO compounds.

- ✓ OE-equivalent
- ✓ Brembo quality
- ✓ Safety
- ✓ Comfort
- ✓ Durability
- ✓ Dust reduction
- ✓ With accessories



Technical specifications

EAN code	Axle	Thickness
8020584080399	Front	18 mm
Width	Height	Braking system
142 mm	76 mm	Brembo
Wear indicator	WVA number	Accessories
Prepared for wear indicator	23960	With anti-squeal shim



4 PCS/SET

COMPATIBLE VEHICLES

COMPATIBLE OE PART NUMBERS

0004209204 MERCEDES-BENZ

0044206220 MERCEDES-BENZ

0044208020 MERCEDES-BENZ

004420802064 MERCEDES-BENZ

0054207820 MERCEDES-BENZ

A0004209204 MERCEDES-BENZ

A0044206220 MERCEDES-BENZ

A0044208020 MERCEDES-BENZ

A0054207820 MERCEDES-BENZ
