



BRAKE PAD PRIME CERAMIC P50087N

The P50087N NAO brake pad is synonymous with reliability

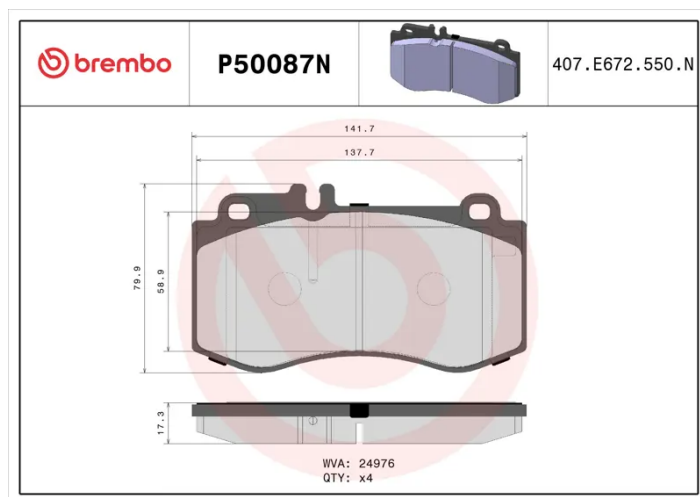
Brembo NAO brake pads stand out for their ultimate braking comfort, reduced friction wear and low dust mission, which makes for cleaner rims and reduced maintenance requirements. The advanced friction material in keeping with the strictest environmental standards is the main distinguishing feature of NAO compounds.

- ✓ OE-equivalent
- ✓ Brembo quality
- ✓ Safety
- ✓ Comfort
- ✓ Durability
- ✓ Dust reduction
- ✓ With accessories



Technical specifications

EAN code 8020584080481	Axle Front	Thickness 17 mm
Width 142 mm	Height 80 mm	Braking system Brembo
Wear indicator Prepared for wear indicator	WVA number 24976	Accessories With anti-squeal shim



COMPATIBLE VEHICLES

COMPATIBLE OE PART NUMBERS

0004201805	MERCEDES-BENZ
------------	---------------

0054207720	MERCEDES-BENZ
------------	---------------

0054208520	MERCEDES-BENZ
------------	---------------

0074204920	MERCEDES-BENZ
------------	---------------

0074206320	MERCEDES-BENZ
------------	---------------

0074206420	MERCEDES-BENZ
------------	---------------

A0054207720	MERCEDES-BENZ
-------------	---------------

A0054208520	MERCEDES-BENZ
-------------	---------------

A0074204920	MERCEDES-BENZ
-------------	---------------

A0074206320	MERCEDES-BENZ
-------------	---------------

A0074206420	MERCEDES-BENZ
-------------	---------------