



# BRAKE PAD PRIME CERAMIC P50144N

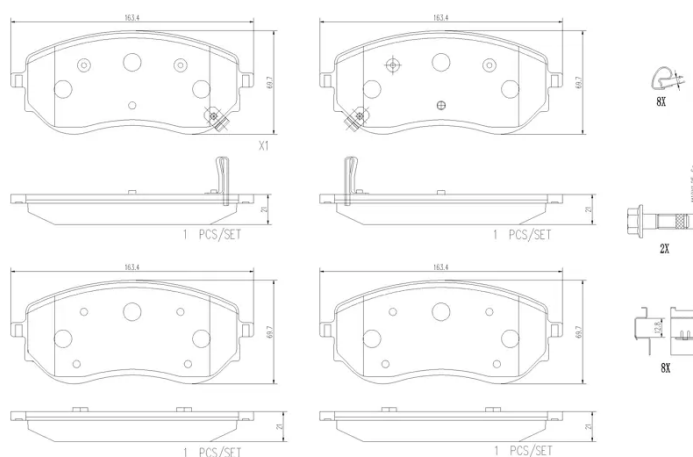
The P50144N NAO brake pad is synonymous with reliability

Brembo NAO brake pads stand out for their ultimate braking comfort, reduced friction wear and low dust mission, which makes for cleaner rims and reduced maintenance requirements. The advanced friction material in keeping with the strictest environmental standards is the main distinguishing feature of NAO compounds.

- ✓ OE-equivalent
- ✓ Brembo quality
- ✓ Safety
- ✓ Comfort
- ✓ Durability
- ✓ Dust reduction
- ✓ With accessories

## Technical specifications

EAN code <b>8020584119402</b>	Axle <b>Front</b>	Thickness <b>21 mm</b>
Width <b>164 mm</b>	Height <b>70 mm</b>	Braking system <b>CBI</b>
Wear indicator <b>Acoustic</b>	WVA number <b>22660,22661,22662</b>	Accessories <b>With accessories</b> <b>With anti-squeal shim</b> <b>With brake caliper bolts</b>



COMPATIBLE VEHICLES

## COMPATIBLE OE PART NUMBERS

4704205300	MERCEDES-BENZ
A4704205300	MERCEDES-BENZ
D10605JU0A	NISSAN