

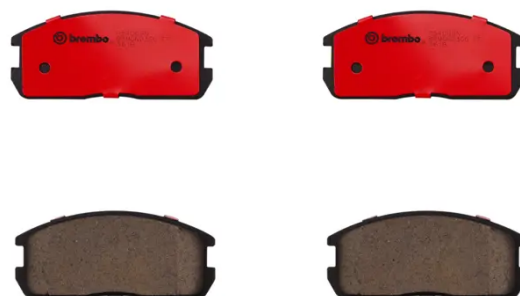


BRAKE PAD PRIME CERAMIC P54009N

The P54009N NAO brake pad is synonymous with reliability

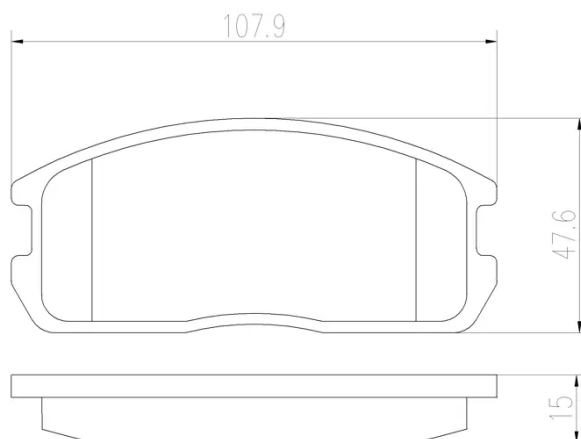
Brembo NAO brake pads stand out for their ultimate braking comfort, reduced friction wear and low dust mission, which makes for cleaner rims and reduced maintenance requirements. The advanced friction material in keeping with the strictest environmental standards is the main distinguishing feature of NAO compounds.

- ✓ OE-equivalent
- ✓ Brembo quality
- ✓ Safety
- ✓ Comfort
- ✓ Durability
- ✓ Dust reduction
- ✓ With accessories



Technical specifications

EAN code 8020584086001	Axle Front	Thickness 15 mm
Width 108 mm	Height 48 mm	Braking system Sumitomo
Wear indicator Without	WVA number 21126	Accessories With anti-squeal shim



4 PCS/SET

COMPATIBLE VEHICLES

COMPATIBLE OE PART NUMBERS

MB277542 MITSUBISHI

MB316166 MITSUBISHI

MB366969 MITSUBISHI

MB389503 MITSUBISHI

MB407460 MITSUBISHI

MB407963 MITSUBISHI

MB534583 MITSUBISHI

MB534587 MITSUBISHI

MB534903 MITSUBISHI

MB618576 MITSUBISHI

MB668722 MITSUBISHI

MB699093 MITSUBISHI

MR162521 MITSUBISHI

MR389503 MITSUBISHI

MZ690337 MITSUBISHI

X3511008 MITSUBISHI

AY040MT007 NISSAN

MB534903 PROTON
