



# BRAKE PAD PRIME CERAMIC P56022N

The P56022N NAO brake pad is  
synonymous with reliability

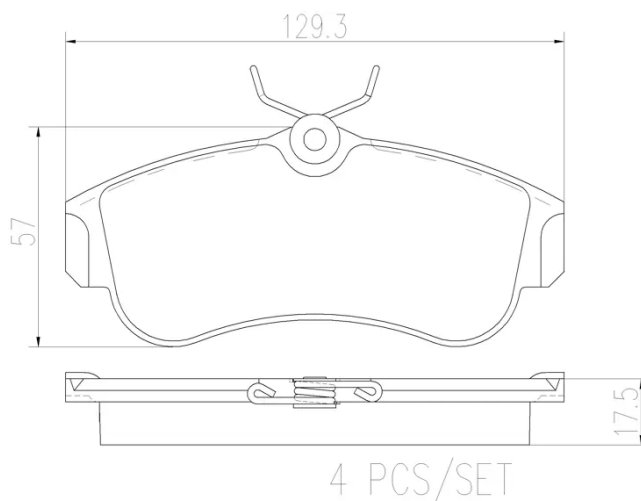
Brembo NAO brake pads stand out for their ultimate braking comfort, reduced friction wear and low dust mission, which makes for cleaner rims and reduced maintenance requirements. The advanced friction material in keeping with the strictest environmental standards is the main distinguishing feature of NAO compounds.

- ✓ OE-equivalent
- ✓ Brembo quality
- ✓ Safety
- ✓ Comfort
- ✓ Durability
- ✓ Dust reduction
- ✓ With accessories



## Technical specifications

EAN code	Axle	Thickness
8020584086872	Front	18 mm
Width	Height	Braking system
129 mm	57 mm	Lucas
Wear indicator	WVA number	Accessories
Without	21546	With anti-squeal shim



COMPATIBLE VEHICLES

## COMPATIBLE OE PART NUMBERS

410602F025 NISSAN

---

410602F026 NISSAN

---

410602F027 NISSAN

---

410604M525 NISSAN

---

410604M526 NISSAN

---

4106071J25 NISSAN

---

4106071J26 NISSAN

---

41060BM425 NISSAN

---

41060F1725 NISSAN

---

D1060BM40A NISSAN

---