

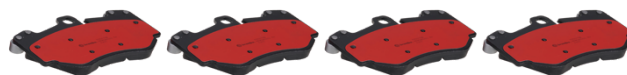


BRAKE PAD NAO P65016N

The P65016N NAO brake pad is synonymous with reliability

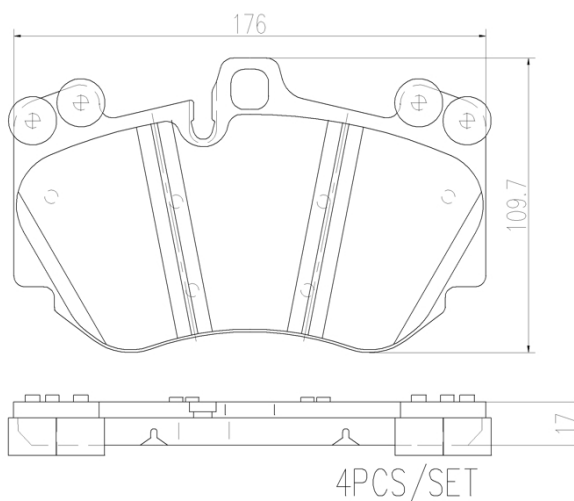
Brembo NAO brake pads stand out for their ultimate braking comfort, reduced friction wear and low dust mission, which makes for cleaner rims and reduced maintenance requirements. The advanced friction material in keeping with the strictest environmental standards is the main distinguishing feature of NAO compounds.

- ✓ OE-equivalent
- ✓ Brembo quality
- ✓ Safety
- ✓ Comfort
- ✓ Durability
- ✓ Dust reduction
- ✓ With accessories



Technical specifications

EAN code 8020584083468	Axle Front	Thickness 17 mm
Width 176 mm	Height 110 mm	Braking system Brembo
Wear indicator Prepared for wear indicator	WVA number 23961	Accessories With anti-squeal shim With counterweights



COMPATIBLE VEHICLES

COMPATIBLE OE PART NUMBERS

7L5698151 AUDI

95535193950 PORSCHE

95535193951 PORSCHE

95535193952 PORSCHE

95535193953 PORSCHE

95535193954 PORSCHE

7L5698151 SEAT

7L5698151 SKODA

7L5698151 VW

7L5698151H VW
