



BRAKE PAD

P 06 032

The P 06 032 brake pad is synonymous with reliability

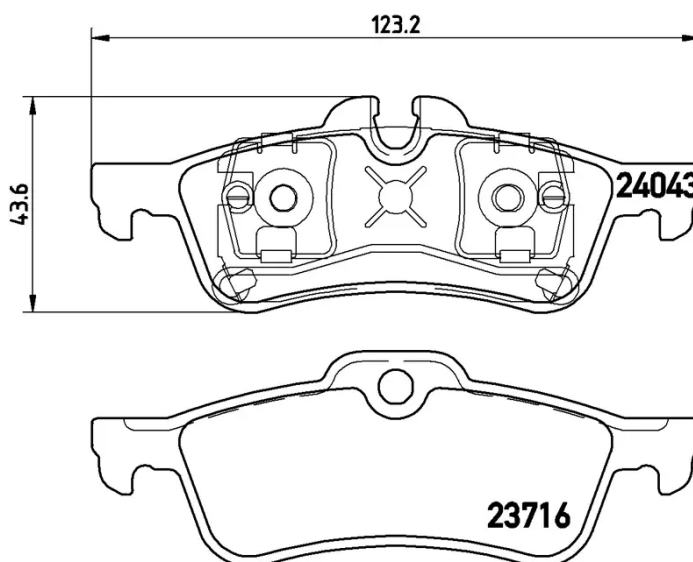
The Brembo brake pad guarantees ultimate safety when braking thanks to the use of more than 100 different compounds, designed according to the type of vehicle and use. Stopping distances reduced to a minimum, maximum driving comfort and silent operation are the most important features of Brembo materials. Brembo brake pads are supplied together with an extensive range of accessories and assembly kits for professional-standard installation.

- ✓ OE-equivalent
- ✓ Brembo quality
- ✓ ECE-R90 certificate
- ✓ Safety
- ✓ Performance
- ✓ Comfort



Technical specifications

EAN code	Axle	Thickness
8020584050323	Rear	16 mm
Width	Height	Braking system
123 mm	44 mm	Teves
Wear indicator	WVA number	Accessories
Prepared for wear indicator	23716,24043	With anti-squeal shim



COMPATIBLE VEHICLES

COMPATIBLE OE PART NUMBERS

34216770252	BMW
-------------	-----

1503077	MINI
---------	------

2166621	MINI
---------	------

34211503077	MINI
-------------	------

34212166621	MINI
-------------	------

34216761288	MINI
-------------	------

34216762871	MINI
-------------	------

34216770252	MINI
-------------	------

34316786873	MINI
-------------	------

6761288	MINI
---------	------

6762871	MINI
---------	------

6786873	MINI
---------	------