



BRAKE PAD

P 06 055

The P 06 055 brake pad is synonymous with reliability

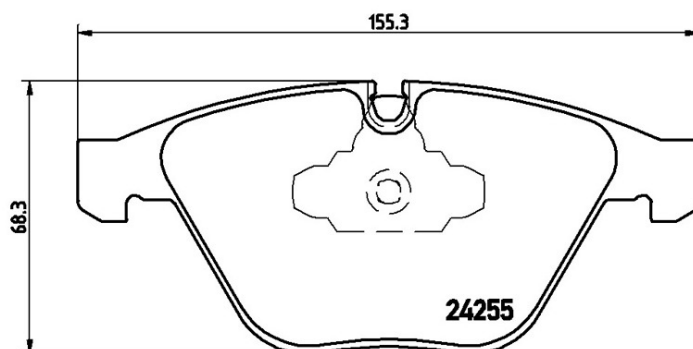
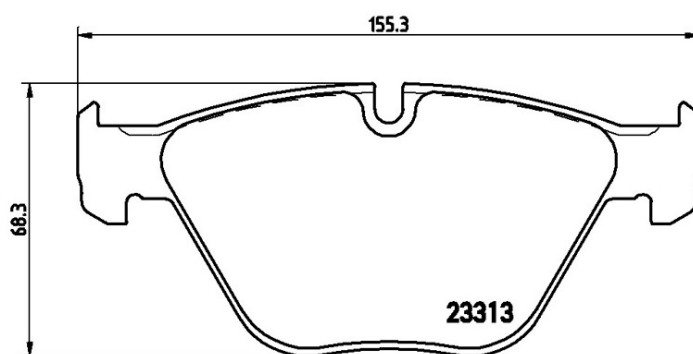
The Brembo brake pad guarantees ultimate safety when braking thanks to the use of more than 100 different compounds, designed according to the type of vehicle and use. Stopping distances reduced to a minimum, maximum driving comfort and silent operation are the most important features of Brembo materials. Brembo brake pads are supplied together with an extensive range of accessories and assembly kits for professional-standard installation.

- ✓ OE-equivalent
- ✓ Brembo quality
- ✓ ECE-R90 certificate
- ✓ Safety
- ✓ Performance
- ✓ Comfort



Technical specifications

EAN code	Axle	Thickness
8020584090190	Front	20 mm
Width	Height	Braking system
155 mm	68 mm	Teves
Wear indicator	WVA number	Accessories
Prepared for wear indicator	24255,23313	With piston clip



COMPATIBLE OE PART NUMBERS

34112288858	BMW
34112288859	BMW
34112288861	BMW
34112288862	BMW
34112288866	BMW
34112288867	BMW
34112288868	BMW
34112288869	BMW
34112409225	BMW
34112413152	BMW
34116780711	BMW
34116790759	BMW
34116857686	BMW
34106880754	BMW (BRILLIANCE)
6880754	BMW (BRILLIANCE)