



BRAKE PAD

P 06 096

The P 06 096 brake pad is synonymous with reliability



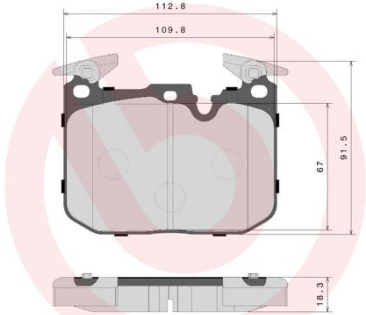
The Brembo brake pad guarantees ultimate safety when braking thanks to the use of more than 100 different compounds, designed according to the type of vehicle and use. Stopping distances reduced to a minimum, maximum driving comfort and silent operation are the most important features of Brembo materials. Brembo brake pads are supplied together with an extensive range of accessories and assembly kits for professional-standard installation.

- ✓ OE-equivalent
- ✓ Brembo quality
- ✓ ECE-R90 certificate
- ✓ Safety
- ✓ Performance
- ✓ Comfort



Technical specifications

EAN code 8020584084731	Axle Front	Thickness 18 mm
Width 115 mm	Height 91 mm	Braking system Brembo
Wear indicator Prepared for wear indicator	WVA number 25028	Accessories With counterweights

	P 06 096		407.E672.363
			
WVA: 25028 QTY: x4			
DATE : 30/09/2023 VERSION : 00			

COMPATIBLE VEHICLES

COMPATIBLE OE PART NUMBERS

34112284765 BMW

34112284969 BMW

34112464196 BMW

34112468432 BMW

34116857968 BMW

34116859282 BMW

34116865460 BMW

34116876641 BMW

34116878882 BMW
