



# BRAKE PAD

## P 06 109

**The P 06 109 brake pad is synonymous with reliability**

The Brembo brake pad guarantees ultimate safety when braking thanks to the use of more than 100 different compounds, designed according to the type of vehicle and use. Stopping distances reduced to a minimum, maximum driving comfort and silent operation are the most important features of Brembo materials. Brembo brake pads are supplied together with an extensive range of accessories and assembly kits for professional-standard installation.

- ✓ OE-equivalent
- ✓ Brembo quality
- ✓ ECE-R90 certificate
- ✓ Safety
- ✓ Performance
- ✓ Comfort
- ✓ With accessories



## Technical specifications

EAN code  
**8020584115107**

Axle  
**Rear**

Thickness  
**18 mm**

Width  
**116 mm**

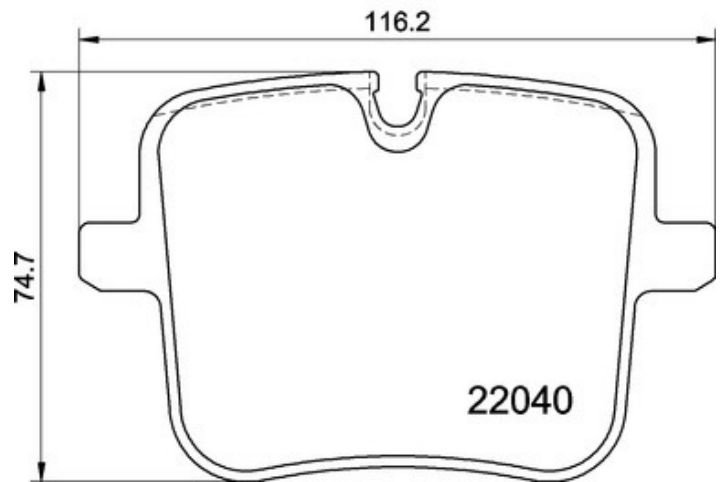
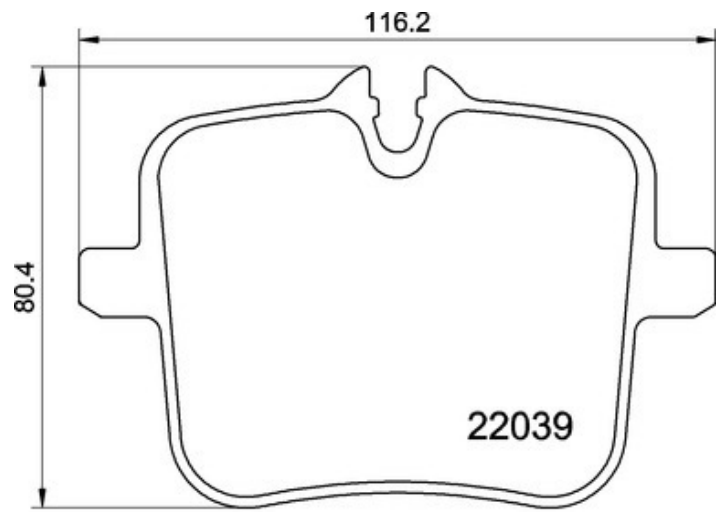
Height  
**75 mm**

Braking system  
**TRW**

Wear indicator  
**Prepared for wear indicator**

WVA number  
**22039,22040**

Accessories  
**With accessories  
With anti-squeal shim  
With brake caliper bolts**



## COMPATIBLE VEHICLES

## COMPATIBLE OE PART NUMBERS

34207883269	BMW
34207883273	BMW
34208092823	BMW
34208093737	BMW
34216876905	BMW
34216885187	BMW
34216885362	BMW
34216893228	BMW
34217991043	BMW
3421799104302	BMW
34217991044	BMW
799104302	BMW