



BRAKE PAD

P 23 100

The P 23 100 brake pad is synonymous with reliability

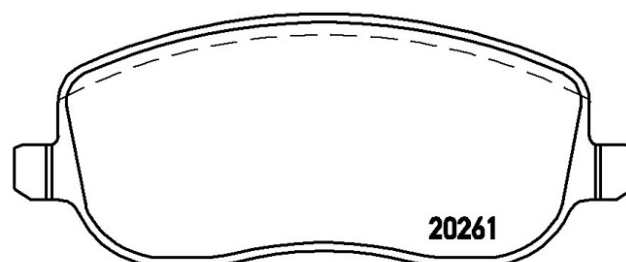
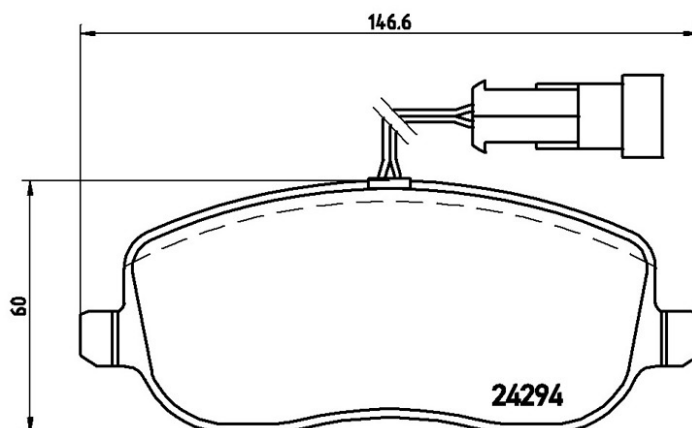
The Brembo brake pad guarantees ultimate safety when braking thanks to the use of more than 100 different compounds, designed according to the type of vehicle and use. Stopping distances reduced to a minimum, maximum driving comfort and silent operation are the most important features of Brembo materials. Brembo brake pads are supplied together with an extensive range of accessories and assembly kits for professional-standard installation.



- ✓ OE-equivalent
- ✓ Brembo quality
- ✓ ECE-R90 certificate
- ✓ Safety
- ✓ Performance
- ✓ Comfort
- ✓ With accessories

Technical specifications

EAN code 8020584051702	Axle Front	Thickness 19 mm
Width 147 mm	Height 60 mm	Braking system Lucas
Wear indicator Electric	WVA number 20261,24294	Accessories With accessories



COMPATIBLE OE PART NUMBERS

71772217	FIAT
77363627	FIAT
