



# BRAKE PAD

## P 23 103

**The P 23 103 brake pad is synonymous with reliability**

The Brembo brake pad guarantees ultimate safety when braking thanks to the use of more than 100 different compounds, designed according to the type of vehicle and use. Stopping distances reduced to a minimum, maximum driving comfort and silent operation are the most important features of Brembo materials. Brembo brake pads are supplied together with an extensive range of accessories and assembly kits for professional-standard installation.

- ✓ OE-equivalent
- ✓ Brembo quality
- ✓ ECE-R90 certificate
- ✓ Safety
- ✓ Performance
- ✓ Comfort
- ✓ With accessories



## Technical specifications

EAN code  
**8020584059395**

Axle  
**Front**

Thickness  
**21 mm**

Width  
**156 mm**

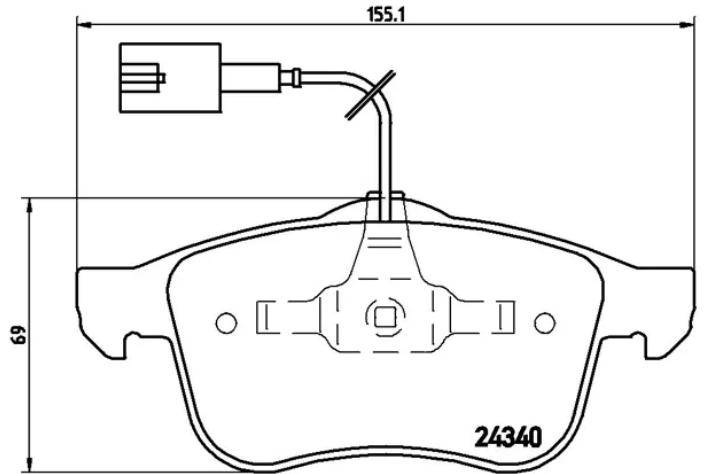
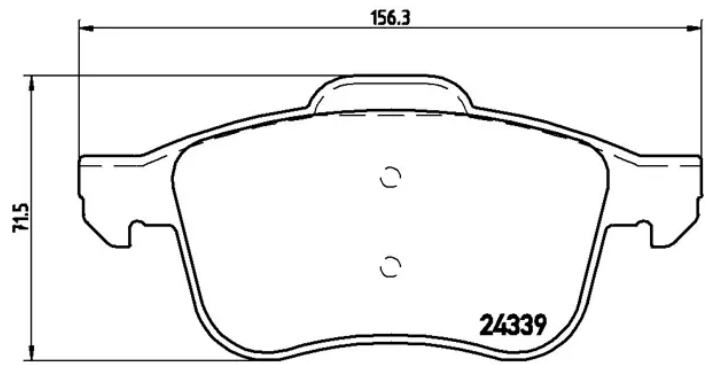
Height  
**69 mm**

Braking system  
**Teves**

Wear indicator  
**Electric**

WVA number  
**24339,24340**

Accessories  
**With accessories  
With anti-squeal  
shim  
With piston clip**



COMPATIBLE VEHICLES

## COMPATIBLE OE PART NUMBERS

00000071772534	ALFA ROMEO
0000071772534	ALFA ROMEO
71772534	ALFA ROMEO
77363599	ALFA ROMEO
77364587	ALFA ROMEO
00000071772218	FIAT
71772218	FIAT
77364587	FIAT
77364587	LANCIA