



BRAKE PAD

P 23 125

The P 23 125 brake pad is synonymous with reliability

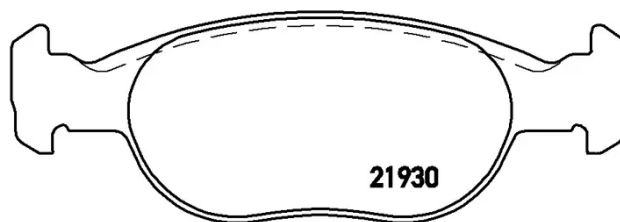
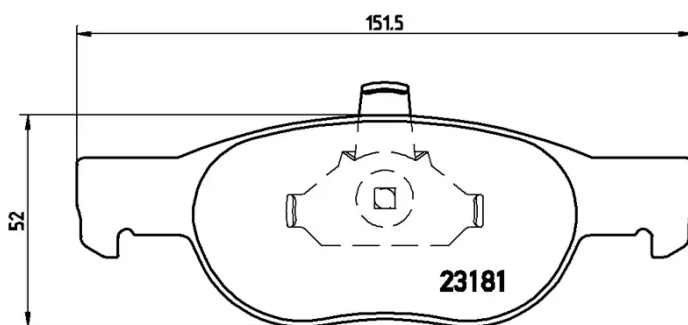
The Brembo brake pad guarantees ultimate safety when braking thanks to the use of more than 100 different compounds, designed according to the type of vehicle and use. Stopping distances reduced to a minimum, maximum driving comfort and silent operation are the most important features of Brembo materials. Brembo brake pads are supplied together with an extensive range of accessories and assembly kits for professional-standard installation.

- ✓ OE-equivalent
- ✓ Brembo quality
- ✓ ECE-R90 certificate
- ✓ Safety
- ✓ Performance
- ✓ Comfort
- ✓ With accessories



Technical specifications

EAN code 8020584060384	Axle Front	Thickness 18 mm
Width 152 mm	Height 52 mm	Braking system Teves
Wear indicator Without	WVA number 23181,21930	Accessories With anti-squeal shim With piston clip With accessories



COMPATIBLE VEHICLES

COMPATIBLE OE PART NUMBERS

6001073161	FIAT
------------	------

71752981	FIAT
----------	------

71772209	FIAT
----------	------

77362190	FIAT
----------	------

9947891	FIAT
---------	------

9947934	FIAT
---------	------

9947891	LANCIA
---------	--------