



# BRAKE PAD

## P 23 185

The P 23 185 brake pad is synonymous with reliability

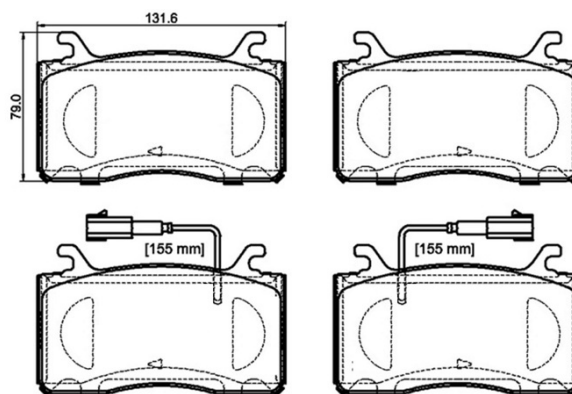
The Brembo brake pad guarantees ultimate safety when braking thanks to the use of more than 100 different compounds, designed according to the type of vehicle and use. Stopping distances reduced to a minimum, maximum driving comfort and silent operation are the most important features of Brembo materials. Brembo brake pads are supplied together with an extensive range of accessories and assembly kits for professional-standard installation.



- ✓ OE-equivalent
- ✓ Brembo quality
- ✓ ECE-R90 certificate
- ✓ Safety
- ✓ Performance
- ✓ Comfort
- ✓ With accessories

### Technical specifications

EAN code <b>8020584087381</b>	Axle <b>Front</b>	Thickness <b>15 mm</b>
Width <b>132 mm</b>	Height <b>79 mm</b>	Braking system <b>Brembo</b>
Wear indicator <b>Electric</b>	WVA number <b>22094</b>	Accessories <b>With accessories</b>



COMPATIBLE VEHICLES

### COMPATIBLE OE PART NUMBERS

68317364AA	ALFA ROMEO
68400577AA	ALFA ROMEO
77367733	ALFA ROMEO
77368321	ALFA ROMEO