



# BRAKE PAD

## P 24 064

The P 24 064 brake pad is synonymous with reliability

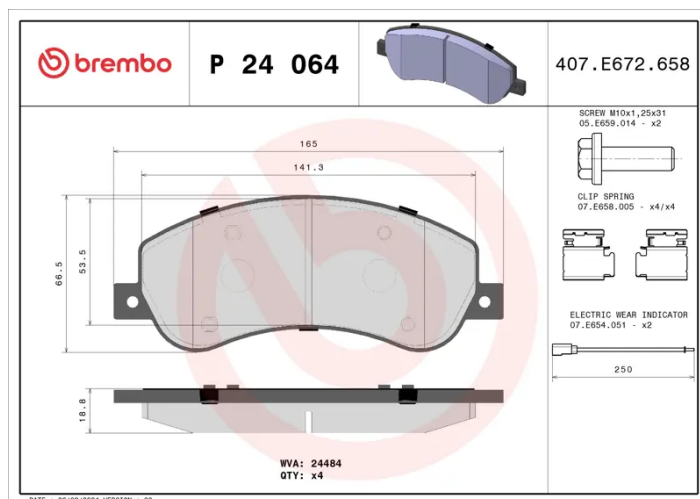
The Brembo brake pad guarantees ultimate safety when braking thanks to the use of more than 100 different compounds, designed according to the type of vehicle and use. Stopping distances reduced to a minimum, maximum driving comfort and silent operation are the most important features of Brembo materials. Brembo brake pads are supplied together with an extensive range of accessories and assembly kits for professional-standard installation.

- ✓ OE-equivalent
- ✓ Brembo quality
- ✓ ECE-R90 certificate
- ✓ Safety
- ✓ Performance
- ✓ Comfort
- ✓ With accessories



### Technical specifications

EAN code <b>8020584059463</b>	Axle <b>Front</b>	Thickness <b>19 mm</b>
Width <b>165 mm</b>	Height <b>67 mm</b>	Braking system <b>Bosch</b>
Wear indicator <b>Electric</b>	WVA number <b>24484</b>	Accessories <b>With accessories With anti-squeal shim With brake caliper bolts</b>



**COMPATIBLE VEHICLES**

## COMPATIBLE OE PART NUMBERS

1121170400 BYD

---

1170486300 BYD

---

1248264400 BYD

---

1270120800 BYD

---

S6DM3501110 BYD

---

ST3501500 BYD

---

1371402 FORD

---

1433952 FORD

---

1488962 FORD

---

1553797 FORD

---

1560014 FORD

---

1721087 FORD

---

1824346 FORD

---

6C112K021AB FORD

---

6C112K021AC FORD

---

6C112K021AD FORD

---

6C112K021AE FORD

---

9C112K021AA FORD

---

ME6C1J2K021AA FORD

---

ME6C1J2K021AB FORD

---

6C1Z2001C FORD (JMC)

---