



# BRAKE PAD

## P 24 148

The P 24 148 brake pad is synonymous with reliability

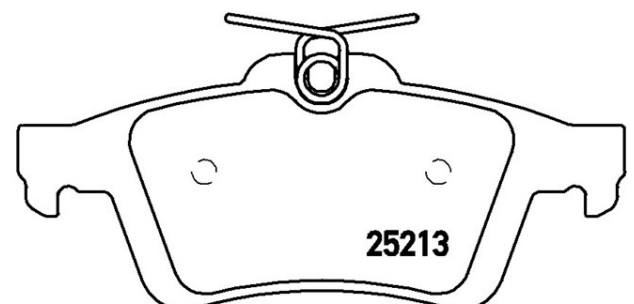
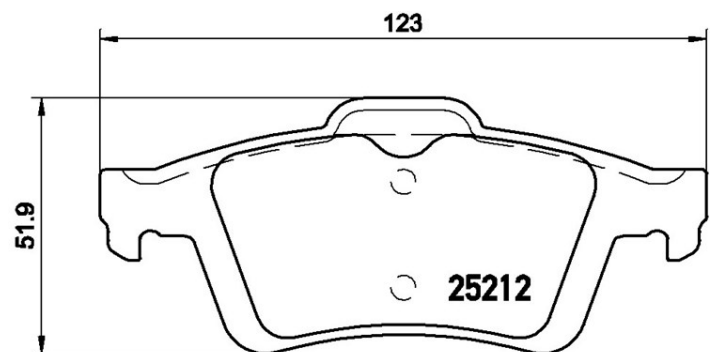
The Brembo brake pad guarantees ultimate safety when braking thanks to the use of more than 100 different compounds, designed according to the type of vehicle and use. Stopping distances reduced to a minimum, maximum driving comfort and silent operation are the most important features of Brembo materials. Brembo brake pads are supplied together with an extensive range of accessories and assembly kits for professional-standard installation.

- ✓ OE-equivalent
- ✓ Brembo quality
- ✓ ECE-R90 certificate
- ✓ Safety
- ✓ Performance
- ✓ Comfort



### Technical specifications

EAN code	Axle	Thickness
<b>8020584103005</b>	<b>Rear</b>	<b>16 mm</b>
Width	Height	Braking system
<b>123 mm</b>	<b>52 mm</b>	<b>Teves</b>
Wear indicator	WVA number	
<b>Without</b>	<b>25212,25213</b>	



## COMPATIBLE OE PART NUMBERS

1683374	FORD
1765765	FORD
1805813	FORD
1809458	FORD
1820122	FORD
2039739	FORD
2252494	FORD
2271380	FORD
5134101	FORD
AV612M008AA	FORD
AV612M008AB	FORD
AV612M008BA	FORD
BV612M007BA	FORD
BV612M007CB	FORD
G2MJ2C453CCB	FORD
GN152M007AA	FORD
KTKV6C2M008AA	FORD
KTKV6C2M008AB	FORD
MEAV6J2M008BA	FORD
MEAV6J2M008CA	FORD
MEMV6J2M008A2A	FORD
1841463	FORD (CHANGAN)
BV612M007B3A	FORD (CHANGAN)
BV612M007B4A	FORD (CHANGAN)
BV6Z2200D	FORD (CHANGAN)
AV6Z2200A	FORD ASIA & OCEANIA
AV6Z2200B	FORD ASIA & OCEANIA
FU2Z2V200C	FORD USA
FU2Z2V200F	FORD USA
GN1Z2200B	FORD USA
GN1Z2200E	FORD USA
44060HA00B	NISSAN
44060HA00C	NISSAN
30742031	VOLVO
31323501	VOLVO
31341327	VOLVO
31341331	VOLVO