



BRAKE PAD

P 24 216

The P 24 216 brake pad is synonymous with reliability

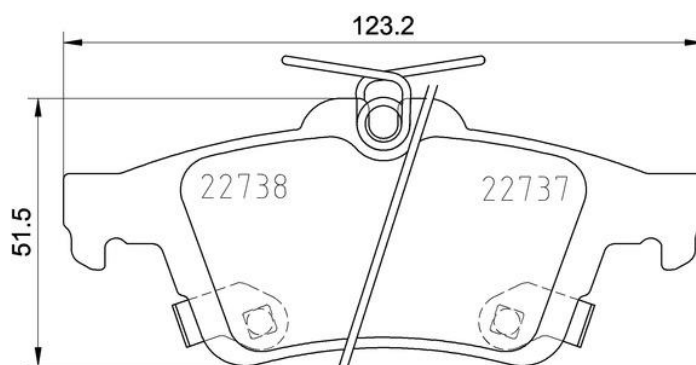
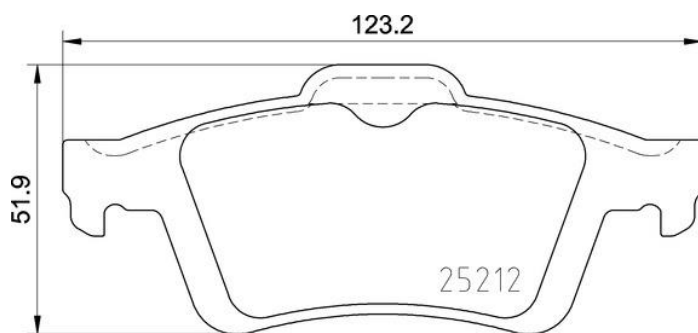
The Brembo brake pad guarantees ultimate safety when braking thanks to the use of more than 100 different compounds, designed according to the type of vehicle and use. Stopping distances reduced to a minimum, maximum driving comfort and silent operation are the most important features of Brembo materials. Brembo brake pads are supplied together with an extensive range of accessories and assembly kits for professional-standard installation.

- ✓ OE-equivalent
- ✓ Brembo quality
- ✓ ECE-R90 certificate
- ✓ Safety
- ✓ Performance
- ✓ Comfort



Technical specifications

EAN code	Axle	Thickness
8020584112861	Rear	16 mm
Width	Height	Braking system
123 mm	52 mm	ATE
Wear indicator	WVA number	
Acoustic	22738,22737,25212	



COMPATIBLE OE PART NUMBERS

1936698 FORD

2019129 FORD

BV6Z2200C FORD

G1FY2M008AB FORD

G1FY2M008AC FORD

G1FZ2200A FORD

GN1Z2200D FORD
