



# BRAKE PAD

## P 30 001

The P 30 001 brake pad is synonymous with reliability

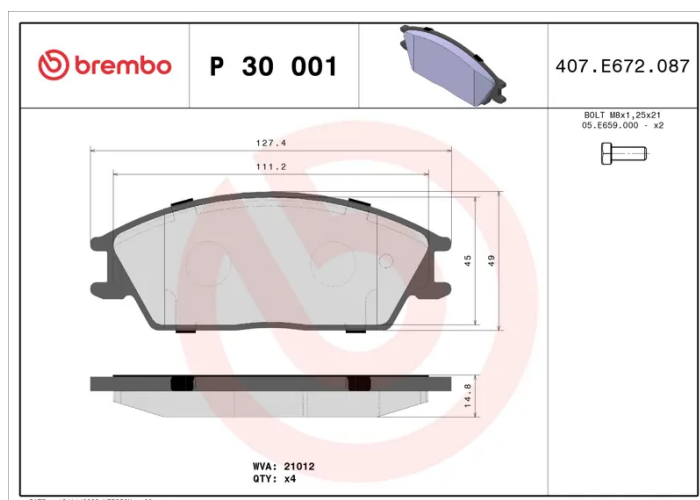
The Brembo brake pad guarantees ultimate safety when braking thanks to the use of more than 100 different compounds, designed according to the type of vehicle and use. Stopping distances reduced to a minimum, maximum driving comfort and silent operation are the most important features of Brembo materials. Brembo brake pads are supplied together with an extensive range of accessories and assembly kits for professional-standard installation.

- ✓ OE-equivalent
- ✓ Brembo quality
- ✓ ECE-R90 certificate
- ✓ Safety
- ✓ Performance
- ✓ Comfort



### Technical specifications

EAN code <b>8020584052716</b>	Axle <b>Front</b>	Thickness <b>15 mm</b>
Width <b>127 mm</b>	Height <b>49 mm</b>	Braking system <b>Akebono</b>
Wear indicator <b>Without</b>	WVA number <b>21012</b>	Accessories <b>With anti-squeal shim</b>



COMPATIBLE VEHICLES

## COMPATIBLE OE PART NUMBERS

581011CA10	HYUNDAI
------------	---------

---

5810124A00	HYUNDAI
------------	---------

---

5810132300	HYUNDAI
------------	---------

---

5810132310	HYUNDAI
------------	---------

---

5810132A00	HYUNDAI
------------	---------

---

5810132B00	HYUNDAI
------------	---------

---