



BRAKE PAD

P 30 013

The P 30 013 brake pad is synonymous with reliability

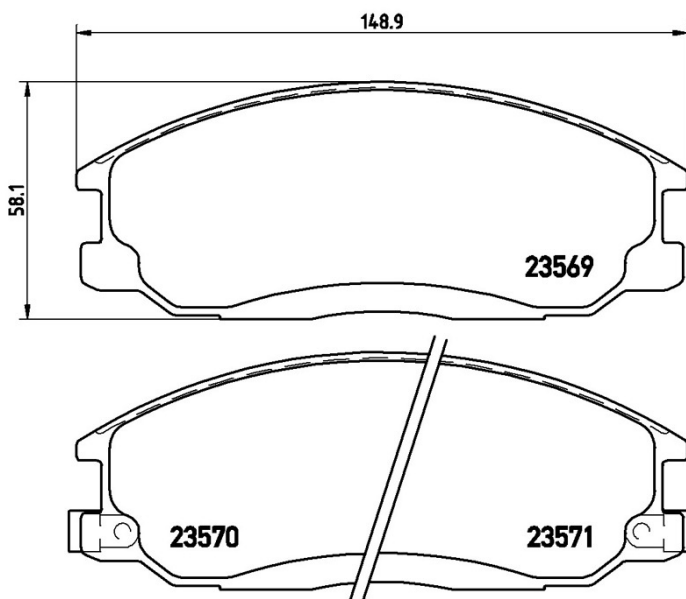
The Brembo brake pad guarantees ultimate safety when braking thanks to the use of more than 100 different compounds, designed according to the type of vehicle and use. Stopping distances reduced to a minimum, maximum driving comfort and silent operation are the most important features of Brembo materials. Brembo brake pads are supplied together with an extensive range of accessories and assembly kits for professional-standard installation.

- ✓ OE-equivalent
- ✓ Brembo quality
- ✓ ECE-R90 certificate
- ✓ Safety
- ✓ Performance
- ✓ Comfort



Technical specifications

EAN code	Axle	Thickness
8020584052839	Front	17 mm
Width	Height	Braking system
149 mm	58 mm	Mando
Wear indicator	WVA number	
Acoustic	23569,23570,23571	



COMPATIBLE VEHICLES

COMPATIBLE OE PART NUMBERS

5810126A00 HYUNDAI

5810126A10 HYUNDAI

5810126A20 HYUNDAI

5810126A30 HYUNDAI

5810126A40 HYUNDAI

5810139A20 HYUNDAI

5810139A30 HYUNDAI

5810139A40 HYUNDAI

581013AA10 HYUNDAI

581013AA11 HYUNDAI

581013AA20 HYUNDAI

581013AA30 HYUNDAI

5810147A00 HYUNDAI

581014AA26 HYUNDAI

581014AA90 HYUNDAI

OK52Y3523Z HYUNDAI

3500175U1010 JAC

581114A200 JAC

OK52Y3323Z KIA

4813008260 SSANGYONG

4813008BA0 SSANGYONG

48130090A0 SSANGYONG

48130090A1 SSANGYONG

48130090A2 SSANGYONG

48130091A0 SSANGYONG

T6003501117001B1127009 ZOTYE

T6003501118001B1127009 ZOTYE
