



BRAKE PAD

P 30 025

The P 30 025 brake pad is synonymous with reliability

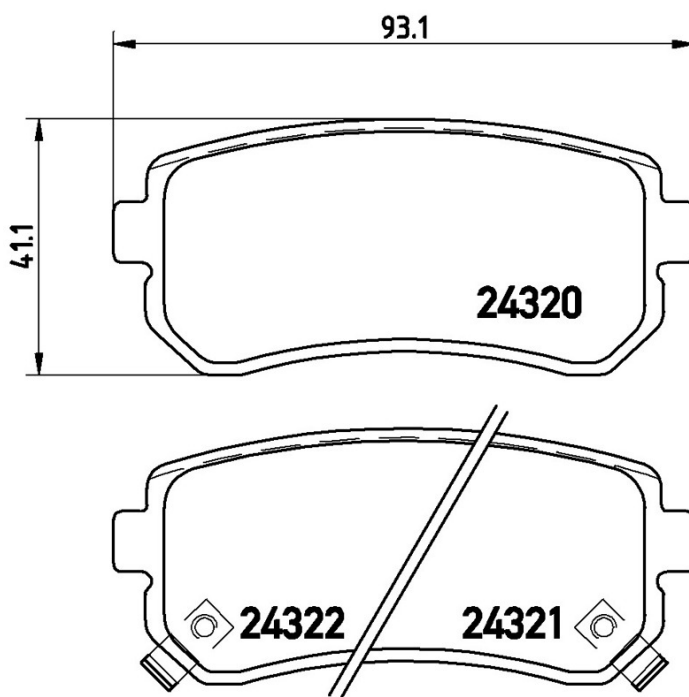
The Brembo brake pad guarantees ultimate safety when braking thanks to the use of more than 100 different compounds, designed according to the type of vehicle and use. Stopping distances reduced to a minimum, maximum driving comfort and silent operation are the most important features of Brembo materials. Brembo brake pads are supplied together with an extensive range of accessories and assembly kits for professional-standard installation.

- ✓ OE-equivalent
- ✓ Brembo quality
- ✓ ECE-R90 certificate
- ✓ Safety
- ✓ Performance
- ✓ Comfort



Technical specifications

EAN code	Axle	Thickness
8020584060636	Rear	16 mm
Width	Height	Braking system
93 mm	41 mm	Mando
Wear indicator	WVA number	
Acoustic	24320,24321,24322	



COMPATIBLE VEHICLES

COMPATIBLE OE PART NUMBERS

583021GA00	HYUNDAI
------------	---------

5583021GA00	HYUNDAI
-------------	---------

583020QA00	HYUNDAI (BEIJING)
------------	-------------------

583020ZA00	KIA
------------	-----

5583020ZA00	KIA
-------------	-----

583021XA30	KIA (DYK)
------------	-----------