



# BRAKE PAD

## P 30 036

The P 30 036 brake pad is synonymous with reliability

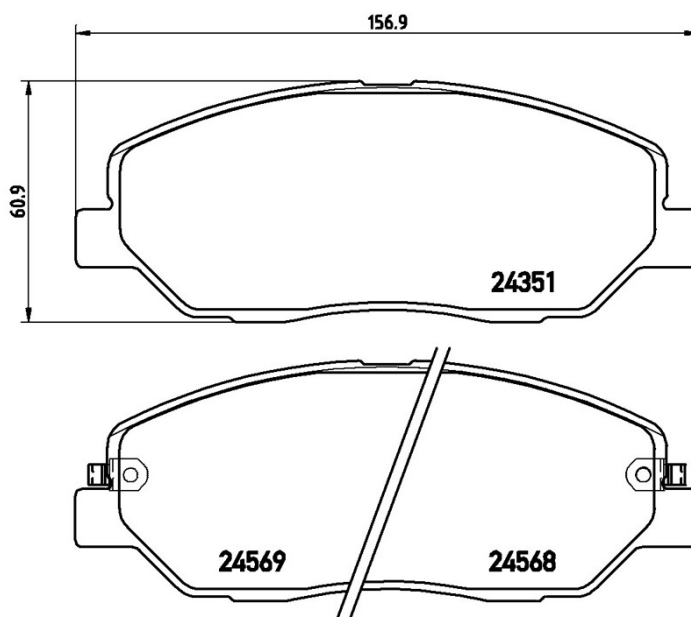
The Brembo brake pad guarantees ultimate safety when braking thanks to the use of more than 100 different compounds, designed according to the type of vehicle and use. Stopping distances reduced to a minimum, maximum driving comfort and silent operation are the most important features of Brembo materials. Brembo brake pads are supplied together with an extensive range of accessories and assembly kits for professional-standard installation.



- ✓ OE-equivalent
- ✓ Brembo quality
- ✓ ECE-R90 certificate
- ✓ Safety
- ✓ Performance
- ✓ Comfort
- ✓ With accessories

### Technical specifications

EAN code <b>8020584060742</b>	Axle <b>Front</b>	Thickness <b>18 mm</b>
Width <b>157 mm</b>	Height <b>61 mm</b>	Braking system <b>Mando</b>
Wear indicator <b>Acoustic</b>	WVA number <b>24568,24351,24569</b>	Accessories <b>With accessories With anti-squeal shim</b>



**COMPATIBLE VEHICLES**

## COMPATIBLE OE PART NUMBERS

581010WA00	HYUNDAI
------------	---------

581012BA00	HYUNDAI
------------	---------

581012BA10	HYUNDAI
------------	---------

581012PA00	HYUNDAI
------------	---------

581012WA00	HYUNDAI
------------	---------

581012WA01	HYUNDAI
------------	---------

581012WA40	HYUNDAI
------------	---------

581012WA70	HYUNDAI
------------	---------

581012WA90	HYUNDAI
------------	---------

581013MA20	HYUNDAI
------------	---------

581014DU00	HYUNDAI
------------	---------

581012BA10	HYUNDAI
------------	---------

581012PA70	HYUNDAI
------------	---------

581012BA10	KIA
------------	-----

581012JA10	KIA
------------	-----

581012JA11	KIA
------------	-----

581012JA50	KIA
------------	-----

581012PA70	KIA
------------	-----

581014DA60	KIA
------------	-----

58101C0A00	KIA (DYK)
------------	-----------

48130341A0	SSANGYONG
------------	-----------

4813036B00	SSANGYONG
------------	-----------

4813036B10	SSANGYONG
------------	-----------

48130370B0	SSANGYONG
------------	-----------

48130371B0	SSANGYONG
------------	-----------