



## BEYOND EV PAD P 30 074E

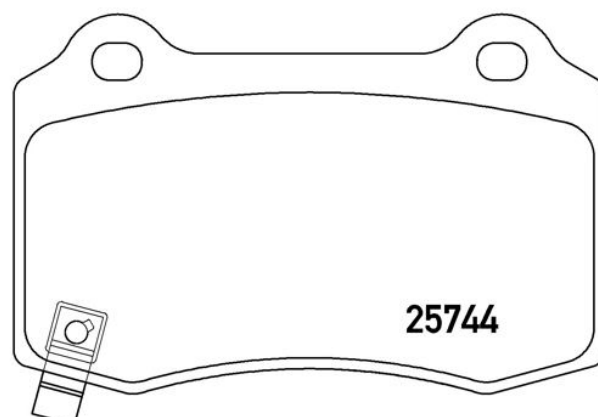
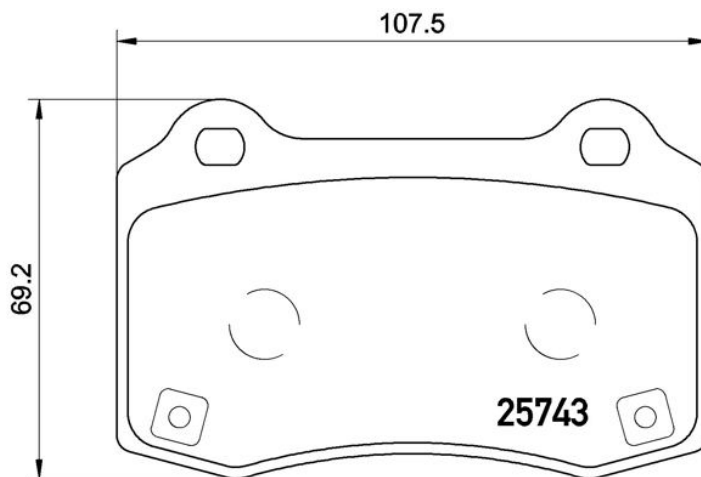
The P 30 074E brake pad is designed for electric cars

The use of regenerative braking, in electric vehicles, entails a more discontinuous use of the friction brake compared to a car with a combustion engine. For this reason, special attention is required to avoid the corrosion of brake discs and brake pads. The Brembo EV brake pad is coated with a special protective treatment, and when used in combination with Brembo EV brake discs, it avoids early corrosion of the braking system, guaranteeing silent and effective braking.

- ✓ Brembo quality
- ✓ ECE-R90 certificate
- ✓ Comfort
- ✓ Durability
- ✓ Anti-corrosion

### Technical specifications

EAN code	Axle	Thickness
<b>8020584123270</b>	<b>Rear</b>	<b>15 mm</b>
Width	Height	Braking system
<b>107 mm</b>	<b>69 mm</b>	<b>Brembo</b>
Wear indicator	WVA number	Accessories
<b>Acoustic</b>	<b>25744,25743</b>	<b>With anti-squeal shim</b>



## COMPATIBLE OE PART NUMBERS

105506800B	TESLA
------------	-------

106833100A	TESLA
------------	-------

106833100B	TESLA
------------	-------

106833100C	TESLA
------------	-------