



# BRAKE PAD

## P 50 093

The P 50 093 brake pad is synonymous with reliability

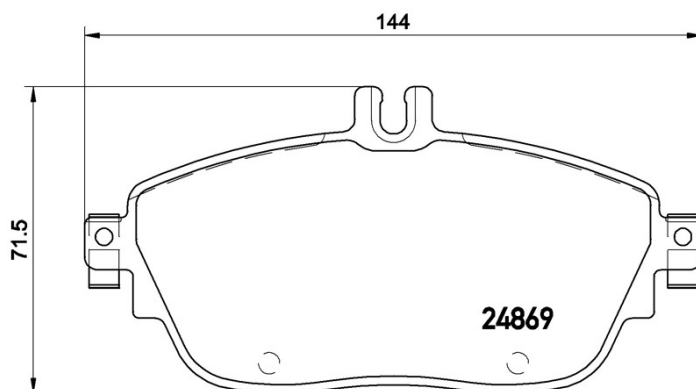
The Brembo brake pad guarantees ultimate safety when braking thanks to the use of more than 100 different compounds, designed according to the type of vehicle and use. Stopping distances reduced to a minimum, maximum driving comfort and silent operation are the most important features of Brembo materials. Brembo brake pads are supplied together with an extensive range of accessories and assembly kits for professional-standard installation.

- ✓ OE-equivalent
- ✓ Brembo quality
- ✓ ECE-R90 certificate
- ✓ Safety
- ✓ Performance
- ✓ Comfort



### Technical specifications

EAN code	Axle	Thickness
8020584103258	Front and rear	19 mm
Width	Height	Braking system
144 mm	72 mm	TRW
Wear indicator	WVA number	Accessories
Prepared for wear indicator	24869	With anti-squeal shim With brake caliper bolts



COMPATIBLE VEHICLES

## COMPATIBLE OE PART NUMBERS

410605DA0A	INFINITI
410605DA0B	INFINITI
41060HG00C	INFINITI
41060HG00D	INFINITI
0004203002	MERCEDES-BENZ
0004209104	MERCEDES-BENZ
0064200620	MERCEDES-BENZ
0064204620	MERCEDES-BENZ
0064204720	MERCEDES-BENZ
0064208520	MERCEDES-BENZ
0074207020	MERCEDES-BENZ
0084200320	MERCEDES-BENZ
0084200620	MERCEDES-BENZ
A0004203002	MERCEDES-BENZ
A0004209104	MERCEDES-BENZ
A0064200620	MERCEDES-BENZ
A0064204620	MERCEDES-BENZ
A0064204720	MERCEDES-BENZ
A0064208520	MERCEDES-BENZ
A0074207020	MERCEDES-BENZ
A0084200320	MERCEDES-BENZ
A0084200620	MERCEDES-BENZ