



# BRAKE PAD XTRA P 54 031X

The P 54 031X Xtra brake pad is synonymous with reliability

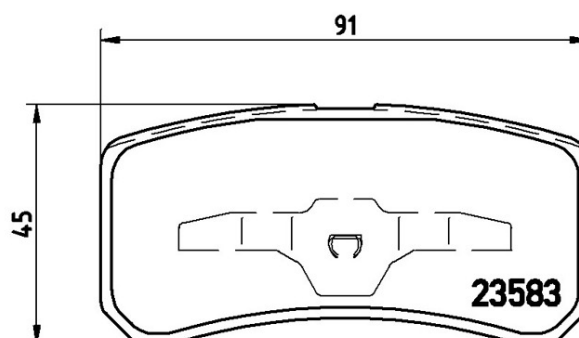
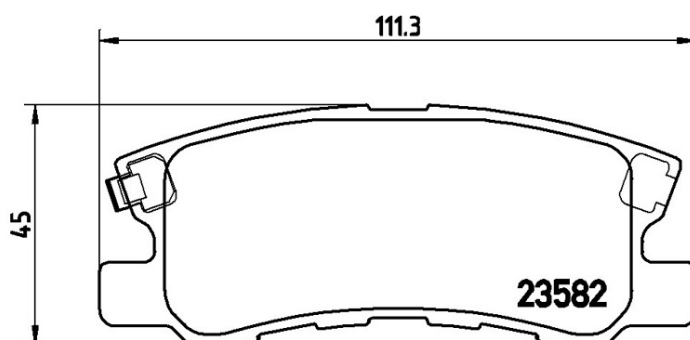
Brembo Xtra brake pads, developed to enhance the advantages of the Xtra and Max discs, are made using the special BRM X L01 compound which consists of more than 30 different components. Compared with the compound used for original-equivalent pads, the new solution assures a higher friction coefficient, which translates to more precise and stable braking, at both high and low temperatures. All this makes for greater driving comfort and improved pedal modularity, without compromising the product's mileage output.



- ✓ OE-equivalent
- ✓ Brembo quality
- ✓ ECE-R90 certificate
- ✓ Safety
- ✓ Performance
- ✓ Sports driving

## Technical specifications

EAN code	Axle	Thickness
8020584121672	Rear	16 mm
Width	Height	Braking system
91 mm	45 mm	Akebono
Wear indicator	WVA number	
Acoustic	23582,23583	



## COMPATIBLE OE PART NUMBERS

128419107	BAIC WEIWANG
068020256AA	CHRYSLER
68020256AA	CHRYSLER
K68028671AA	CHRYSLER
V2011271AA	CHRYSLER
V2011271AB	CHRYSLER
V2018671AA	CHRYSLER
1606294580	CITROËN
1617265280	CITROËN
425390	CITROËN
425391	CITROËN
425448	CITROËN
2AMV4671AA	DODGE
68028671AA	DODGE
68033078AA	DODGE
K68033078AA	DODGE
V2018671AA	DODGE
V2018671AB	DODGE
V2018671AA	JEEP
K68020256AA	LANCIA
K68020262AA	LANCIA
K68028671AA	LANCIA
1606294580	MITSUBISHI
4605A265	MITSUBISHI
4605A447	MITSUBISHI
4605A448	MITSUBISHI
4605A487	MITSUBISHI
4605A502	MITSUBISHI
MN102628	MITSUBISHI
MR510544	MITSUBISHI
MZ690183	MITSUBISHI
MZ690346	MITSUBISHI
MZ690574	MITSUBISHI
4605B253	MITSUBISHI (GAC)
1611838980	PEUGEOT
425390	PEUGEOT
425391	PEUGEOT
425448	PEUGEOT