



# BRAKE PAD

## P 61 073

The P 61 073 brake pad is synonymous with reliability



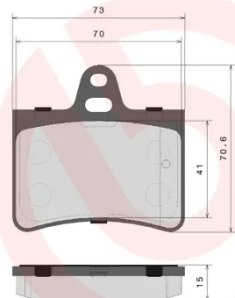

The Brembo brake pad guarantees ultimate safety when braking thanks to the use of more than 100 different compounds, designed according to the type of vehicle and use. Stopping distances reduced to a minimum, maximum driving comfort and silent operation are the most important features of Brembo materials. Brembo brake pads are supplied together with an extensive range of accessories and assembly kits for professional-standard installation.

- ✓ OE-equivalent
- ✓ Brembo quality
- ✓ ECE-R90 certificate
- ✓ Safety
- ✓ Performance
- ✓ Comfort



### Technical specifications

EAN code <b>8020584056493</b>	Axle <b>Rear</b>	Thickness <b>15 mm</b>
Width <b>73 mm</b>	Height <b>71 mm</b>	Braking system <b>Citroen</b>
Wear indicator <b>Without</b>	WVA number <b>23305</b>	Accessories <b>With anti-squeal shim</b>

	<b>P 61 073</b>		407.E672.187
			
WVA: 23305 QTY: x4			
DATE : 05/02/2024 VERSION : 00			

COMPATIBLE VEHICLES

## COMPATIBLE OE PART NUMBERS

1617257280 CITROËN

---

425217 CITROËN

---

425290 CITROËN

---

425334 CITROËN

---

E172231 CITROËN

---

E172591 CITROËN

---