



# BRAKE PAD

## P 61 091G

The P 61 091G brake pad is synonymous with reliability

The Brembo brake pad guarantees ultimate safety when braking thanks to the use of more than 100 different compounds, designed according to the type of vehicle and use. Stopping distances reduced to a minimum, maximum driving comfort and silent operation are the most important features of Brembo materials. Brembo brake pads are supplied together with an extensive range of accessories and assembly kits for professional-standard installation.

- ✓ OE-equivalent
- ✓ Brembo quality
- ✓ ECE-R90 certificate
- ✓ Safety
- ✓ Performance
- ✓ Comfort
- ✓ With accessories



### Technical specifications

EAN code  
**8020584125137**

Axle  
**Rear**

Thickness  
**19 mm**

Width  
**137 mm**

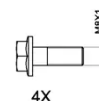
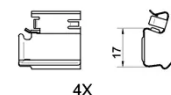
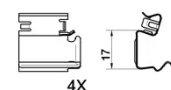
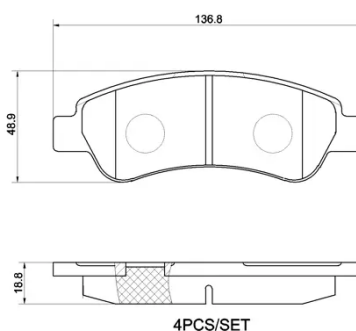
Height  
**49 mm**

Braking system  
**Bosch**

Wear indicator  
**Without**

WVA number  
**24465**

Accessories  
**With accessories**  
**With anti-squeal shim**  
**With brake caliper bolts**



COMPATIBLE VEHICLES

## COMPATIBLE OE PART NUMBERS

1611140880	CITROËN
------------	---------

1611457480	CITROËN
------------	---------

1617265080	CITROËN
------------	---------

425359	CITROËN
--------	---------

425360	CITROËN
--------	---------

425469	CITROËN
--------	---------

E172302	CITROËN
---------	---------

6001073129	FIAT
------------	------

71770028	FIAT
----------	------

71773149	FIAT
----------	------

77364016	FIAT
----------	------

1611140880	PEUGEOT
------------	---------

1611457480	PEUGEOT
------------	---------

1617265080	PEUGEOT
------------	---------

425359	PEUGEOT
--------	---------

425360	PEUGEOT
--------	---------

425469	PEUGEOT
--------	---------

E172302	PEUGEOT
---------	---------