



# BRAKE PAD

## P 78 010

The P 78 010 brake pad is synonymous with reliability

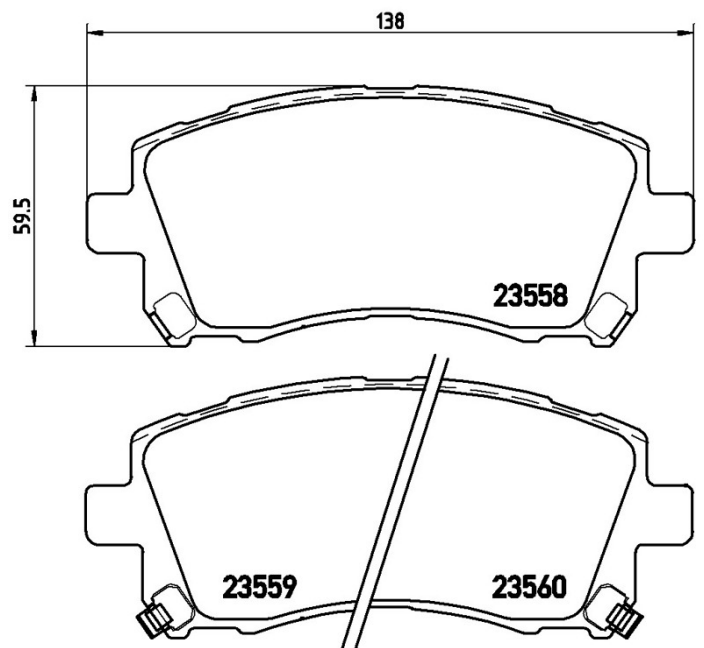
The Brembo brake pad guarantees ultimate safety when braking thanks to the use of more than 100 different compounds, designed according to the type of vehicle and use. Stopping distances reduced to a minimum, maximum driving comfort and silent operation are the most important features of Brembo materials. Brembo brake pads are supplied together with an extensive range of accessories and assembly kits for professional-standard installation.

- ✓ OE-equivalent
- ✓ Brembo quality
- ✓ ECE-R90 certificate
- ✓ Safety
- ✓ Performance
- ✓ Comfort



### Technical specifications

EAN code	Axle	Thickness
<b>8020584057179</b>	<b>Front and rear</b>	<b>17 mm</b>
Width	Height	Braking system
<b>138 mm</b>	<b>60 mm</b>	<b>Akebono</b>
Wear indicator	WVA number	
<b>Acoustic</b>	<b>23558,23559,23560</b>	



## COMPATIBLE OE PART NUMBERS

MN102134 MITSUBISHI

---

MN116286 MITSUBISHI

---

MZ690143 MITSUBISHI

---

AY040FJ004 NISSAN

---

26233AE000 SUBARU

---

26296AC030 SUBARU

---

26296AC040 SUBARU

---

26296AC041 SUBARU

---

26296AC050 SUBARU

---

26296AC060 SUBARU

---

26296AC070 SUBARU

---

26296AC200 SUBARU

---

26296AE020 SUBARU

---

26296AE080 SUBARU

---

26296AE081 SUBARU

---

26296AE100 SUBARU

---

26296AE140 SUBARU

---

26296AE141 SUBARU

---

26296AE210 SUBARU

---

26296AE220 SUBARU

---

26296AF020 SUBARU

---

26296FE060 SUBARU

---