



BRAKE PAD

P 83 103

The P 83 103 brake pad is synonymous with reliability

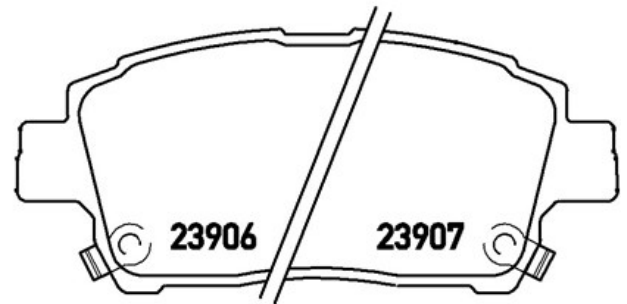
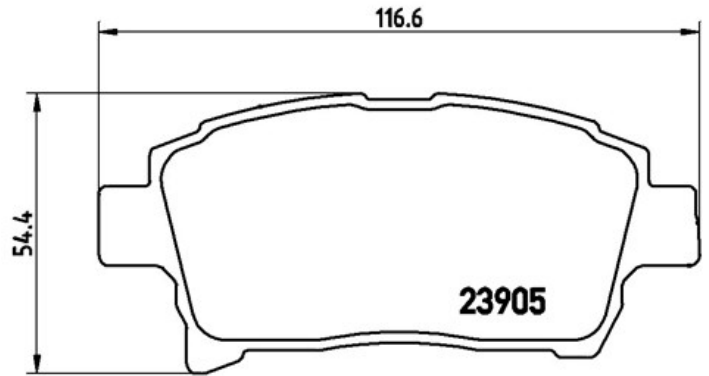
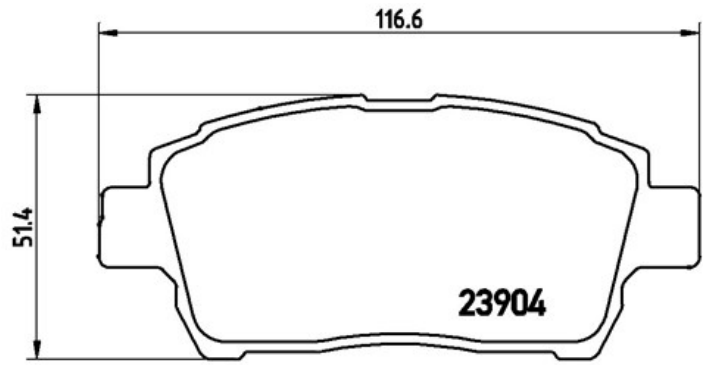
The Brembo brake pad guarantees ultimate safety when braking thanks to the use of more than 100 different compounds, designed according to the type of vehicle and use. Stopping distances reduced to a minimum, maximum driving comfort and silent operation are the most important features of Brembo materials. Brembo brake pads are supplied together with an extensive range of accessories and assembly kits for professional-standard installation.

- ✓ OE-equivalent
- ✓ Brembo quality
- ✓ ECE-R90 certificate
- ✓ Safety
- ✓ Performance
- ✓ Comfort



Technical specifications

EAN code	Axle	Thickness
8020584090893	Front	17 mm
Width	Height	Braking system
117 mm	51 mm	Akebono
Wear indicator	WVA number	
Acoustic	23906,23907,23905,23904	



COMPATIBLE VEHICLES