



BRAKE DISC PAINTED

09.5488.11

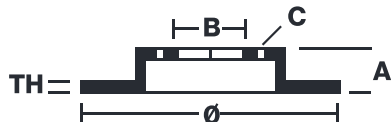
The 09.5488.11 painted brake disc is synonymous with reliability

The Brembo brake disc with special UV paint treatment guarantees superior corrosion resistance for the product, thanks to the protective coating on the outer edges and on the disc hub. The UV paint not only gives the disc a clean, shiny appearance but is also beneficial for the environment as the water-based UV paint treatment does not require the use of chemical solvents and is a low energy consumption process.

- ✓ OE-equivalent
- ✓ Brembo quality
- ✓ ECE-R90 certificate
- ✓ Safety
- ✓ Anti-corrosion

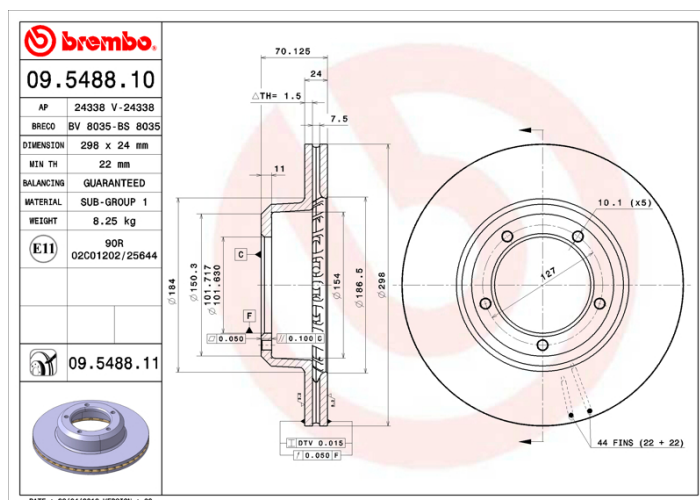


Technical specifications



EAN code 8020584222119	Axle Front	Diameter Ø 298 mm
Thickness (TH) 24 mm	Height (A) 70 mm	Number of holes (C) 5
Brake disc type Ventilated	Centering (B) 102 mm	Min. thickness 22 mm

Tightening torque
130 Nm



COMPATIBLE VEHICLES

COMPATIBLE OE PART NUMBERS

FTC0902 LAND ROVER

FTC902 LAND ROVER

LR017952 LAND ROVER
