



BRAKE PAD

P 24 071

The P 24 071 brake pad is synonymous with reliability

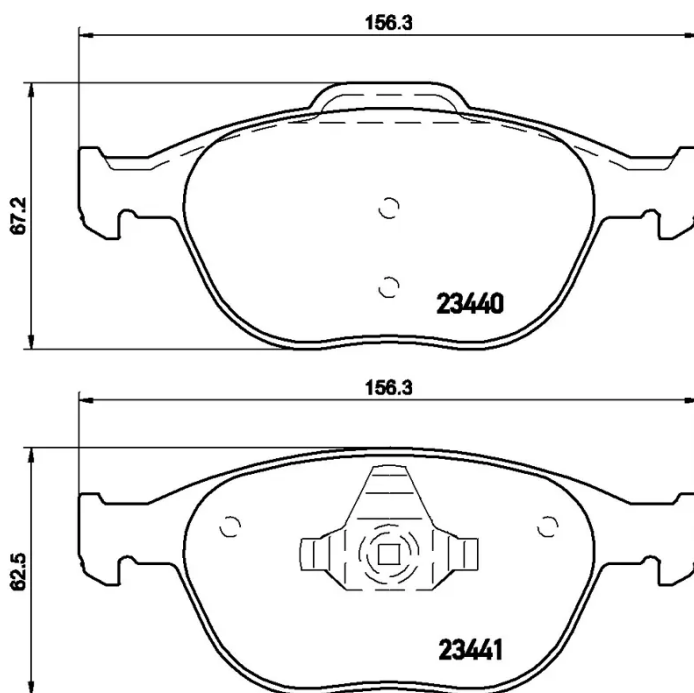
The Brembo brake pad guarantees ultimate safety when braking thanks to the use of more than 100 different compounds, designed according to the type of vehicle and use. Stopping distances reduced to a minimum, maximum driving comfort and silent operation are the most important features of Brembo materials. Brembo brake pads are supplied together with an extensive range of accessories and assembly kits for professional-standard installation.

- ✓ OE-equivalent
- ✓ Brembo quality
- ✓ ECE-R90 certificate
- ✓ Safety
- ✓ Performance
- ✓ Comfort



Technical specifications

EAN code 8020584060445	Axle Front	Thickness 17 mm
Width 157 mm	Height 63 mm	Braking system Teves
Wear indicator Without	WVA number 23440,23441	Accessories With anti-squeal shim



COMPATIBLE VEHICLES