



BRAKE DISC MAX

08.9512.75

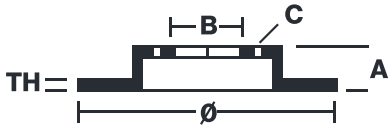
The 08.9512.75 Max brake disc is synonymous with reliability

The Brembo Max brake disc features grooves on the braking surface. The special shape of the grooves generates greater fading resistance and constant renewal of friction material, quickly restoring optimum braking conditions. The UV paint completes the sporty look.

- ✓ Brembo quality
- ✓ ECE-R90 certificate
- ✓ Performance
- ✓ Sports driving
- ✓ Sporty look
- ✓ Anti-corrosion



Technical specifications



EAN code
8020584321218

Axle
Rear

Diameter \varnothing
249 mm

Thickness (TH)
9 mm

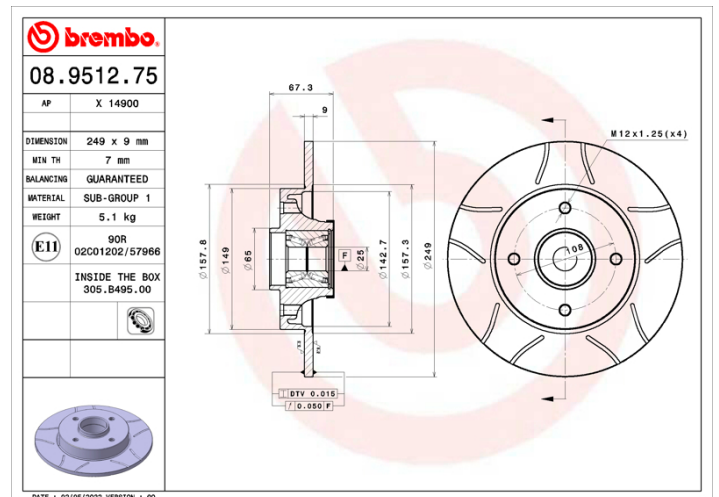
Height (A)
67,3 mm

Number of holes (C)
4

Brake disc type
Solid

Centering (B)
65 mm

Min. thickness
7 mm



COMPATIBLE VEHICLES

COMPATIBLE OE PART NUMBERS

1619237880	CITROËN
------------	---------

4246Z9	CITROËN
--------	---------

424934	CITROËN
--------	---------

E169195	CITROËN
---------	---------

E169506	CITROËN
---------	---------

E169510	CITROËN
---------	---------

1619237880	PEUGEOT
------------	---------

4246Z9	PEUGEOT
--------	---------

424934	PEUGEOT
--------	---------

E169195	PEUGEOT
---------	---------

E169510	PEUGEOT
---------	---------